

# Instruction Manual



PHOENIX MODEL®

**GP**  
version

**EP**  
version



## STUKA ju87

### GP/EP SCALE 1:5 <sup>3</sup>/<sub>4</sub> Size 60cc ARF

#### SPECIFICATION

- Wingspan: 2400mm (94.4 in)
- Length: 1934mm (76 in)
- Flying weight: 10.5 - 11 Kg
- Wing area: 95 dm<sup>2</sup>
- Wing loading: 109g/dm<sup>2</sup>
- Gear type: Aluminum Hi-grade for main gear (included)
- Spinner size: Plastic 115mm (included)
- Radio: 8 channel minimum (not included)
- Servo: Standard hi torque servo: 2 aileron; 4 flap; 2 elevator; 1 rudder; 1 throttle (not included)
- Propeller: Suit with your engine
- Engine: 50 - 61cc gas engine (not included)
- Motor: Brushless outrunner 6500 W, 160 KV (not included)
- Gravity CG: 145 mm (5.7 in) Back from the leading edge of the wing, at the fuselage
- Control throw Ailerons: Low: 12mm up/down; High: 15mm up/down
- Control throw Elevators: Low: 15mm up/down; High: 20mm up/down
- Control throw Rudder: Low: 20mm right/left; High: 30mm right/left
- Control throw Flaps: Mid: 20mm down; Landing: 25mm down
- Experience level: Intermediate
- Plane type: Scale Warbird

#### RECOMMENDED MOTOR AND BATTERY SET UP

- Motor: Rimfire 65cc(not included)
- Lipo cell: 12 cells / 5000 – 6000mAh (not included)
- Esc: 120-160A / HV (not included)

## TABLE OF CONTENTS

Introduction .....	1	Installing the horizontal stab strut .....	29
Warranty.....	2	Installing the engine .....	30
Disclaimer.....	2	Installing the stopper .....	33
Safety precaution .....	2	Installing the fuel tank.....	34
Important building notes.....	2	Installing the throttle .....	35
Suggestion.....	2	Installing the cowl .....	36
Flight warnings.....	2	Decoration the cowl .....	37
Flight warnings.....	3	Installing the spinner .....	38
Covering tools.....	3	Installing the receiver and battery.....	38
Adhesives and required tools .....	3	Installing the switch .....	38
Academy of model aeronautics national		Installing the electric motor ( ep version ).....	39
model aircraft safety code.....	3	Sliding the canopy .....	41
Installing the light wing.....	5	Gluing the pilot chair.....	42
Preparations.....	6	Gluing the pilot.....	43
Installing the ailerons and flaps servos .....	7	Gluing the plastic gun .....	44
Installing the ailerons and flap linkages .....	8	Balancing.....	45
Installing the gun.....	11	Lateral balance .....	46
Installing the bomb and tank.....	12	Control throws .....	46
Installing the main landing gear .....	14	Flight preparation pre flight check.....	46
Secure the wing to the fuselage.....	19	For your radio installation	
Horizontal stabilizer installation .....	20	Basic connection for airplane	
Rudder installation .....	22	and adjustment of servos .....	48
Installing the rudder linkages .....	22	Main gear dimensional detail .....	49
Installing the tail wheel .....	25	Tail gear dimensional detail .....	49
Installing the elevator pushrod.....	27	Exploded view.....	50
Installing the elevator servo .....	28	Exploded view .....	51

## INTRODUCTION

Thank you for purchasing Phoenix Model products. With over 20 years experience in production and fly testing, Phoenix Model is committed to bring the best quality products and good service to customers. Along with a team of creative engineers and skilled workers, we will always accompany with customers by our great experiences, fully enthusiasm... which will burn our passion!! Joining with us to explore and conquer challenges in the sky ...

Your satisfaction is our success. Please read through this manual before starting construction.

**Academy of Model Aeronautics:** If you are not already a member of the AMA, please join! The AMA is the governing body of model aviation and membership provides liability insurance coverage, protects modelers' rights and interests and is required to fly at most R/C sites.

**Academy of Model Aeronautics**

5151 East Memorial Drive Muncie, IN 47302-9252

Tele. (800) 435-9262

Fax (765) 741-0057

Or via the Internet at: <http://www.modelaircraft.org>



**WARRANTY**

Phoenix Model guarantees the component parts in this kit to be free from defects in both material and workmanship at the date of purchase by the purchaser.

This warranty does not cover cosmetic damage or damage due to acts of God, accident, misuse, abuse, negligence, commercial use, or modification of or to any part of the Product.

This warranty does not cover damage due to improper installation, operation, maintenance, or attempted repair by anyone other than Phoenix Model.

Further, Phoenix Model reserves the right to change or modify this warranty without notice.

**DISCLAIMER**

Read this disclaimer carefully before using this product. Please strictly follow the instruction manual to assemble and use this.

In that Phoenix Model has no control over the final assembly or material used for final assembly, Phoenix Model is not responsible for loss of use, or other incidental or consequential damages.

Furthermore, Phoenix Model cannot be held liable for personal injury or property damage caused by the use or misuse of Phoenix Model products. By the act of using the user-assembled products, the user accepts all resulting liability.

**SAFETY PRECAUTION**

- This is not a toy and pilots must be over the age of 14
- Be sure that no other flyers are using your radio frequency.
- Do not smoke near fuel
- Store fuel in a cool, dry place, away from children and pets.
- Wear safety glasses.
- The glow plug clip must be securely attached to the glow plug.
- Do not flip the propeller with your fingers.
- Keep loose clothing and wires away from the propeller.
- Do not start the engine if people are near. Do not stand in line with the side of the propeller.
- Make engine adjustments from behind the propeller only. Do not reach around the spinning propeller.
- Moisture causes damage to electronics. Avoid water exposure to all equipment not specifically designed and protected for this purpose.

**IMPORTANT BUILDING NOTES**

- Please trial fit all the parts. Make sure you have the correct parts and that they fit and are aligned properly before gluing! This will assure proper assembly. This kit is hand made from natural materials, every plane is unique and minor adjustments may have to be made. However, you should find the fit superior and assembly simple.
- The painted and plastic parts used in this kit are fuel proof. However, they are not tolerant of many harsh chemicals including the following: paint thinner, C/A glue accelerator, C/A glue debonder and acetone. Do not let these chemicals come in contact with the colors on the covering and the plastic parts.
- Some parts included in this kit such as the cowl or wheel pants are made of fiberglass, the fibers of which may cause eye, skin and respiratory tract irritation. Never blow into a part to remove fiberglass dust, as the dust will blow back into your eyes. Always wear safety goggles, a particle mask and rubber gloves when grinding, drilling and sanding fiberglass parts. Vacuum the parts and the work area thoroughly after working with fiberglass parts.

**SUGGESTION**

To avoid scratching your new airplane, do not unwrap the pieces until they are needed for assembly. Cover your workbench with an old towel or brown paper, both to protect the aircraft and to protect the table. Keep a couple of jars or bowls handy to hold the small parts after you open the bag.

**FLIGHT WARNINGS**

- Always operate in open areas, away from factories, hospitals, schools, buildings and houses etc.
- NEVER fly your aircraft close to people or built up areas.
- NEVER fly near power lines, aerials or other dangerous areas including airports, motorways etc.
- NEVER fly in wet conditions or on windy or stormy days.
- ALWAYS adjust the engine from behind the propeller, and do not allow any part of your body to be in line with the propeller.
- THE PROPELLER IS DANGEROUS Keep fingers, clothing (ties, shirt sleeves, scarves) or any other loose objects that could be caught or drawn in, away from the propeller. Take care at ALL times.
- NEVER use damaged or deformed propellers or spinners.
- Keep all onlookers (especially small children and animals) well back from the area of operation. This is a flying aircraft, which will cause serious injury in case of impact with a person or animal.
- DO NOT dispose of empty fuel containers on a fire, this can lead to an explosion.

**FLIGHT WARNINGS**

- When ready to fly, first extend the transmitter aerial.
- Switch on the transmitter.
- Switch on the receiver.
- Check that the wings are correctly fitted to the fuselage.
- Operate the control sticks on the transmitter and check that the control surfaces move freely and in the CORRECT directions.
- Check that the transmitter batteries have adequate power.
- ALWAYS take off into the wind.
- If the model does not respond correctly to the controls, land it as soon as possible and correct the fault.
- ALWAYS land the model INTO the wind, this ensures that the model lands at the slowest possible speed.
- Switch off the receiver.
- Switch off the transmitter.
- Empty the fuel tank after flying, fuel left in the tank can cause corrosion and lead to engine problems.

**COVERING TOOLS**

- Top Flite® MonoKote® Sealing Iron
- Top Flite Hot Sock Iron Cover
- Top Flite MonoKote Trim Seal Iron
- Top Flite MonoKote Heat Gun

**ADHESIVES AND REQUIRED TOOLS**

- Thin CA
- 30-minute epoxy
- 6-minute epoxy
- Threadlocker thread locking cement
- Mixing sticks
- Mixing cups (GPMR8056)
- Epoxy brushes
- Denatured alcohol
- Canopy Glue
- Felt-tipped pen or pencil
- Flat screwdriver
- Adjustable wrench
- Drill
- Hobby knife
- Masking tape
- Phillips screwdriver (large)
- Phillips screwdriver (small)
- Ruler
- Sandpaper
- Soldering iron
- Solder
- Hex wrench
- Drill bit: 1/16-inch (1.5mm), 5/64-inch (2mm), 1/8-inch (3,2mm), 3/16-inch (4,8mm), 11/64-inch (4.5mm), 13/64-inch (5,2mm), 1/4-inch (6,4mm)

**Academy of Model Aeronautics National Model Aircraft Safety Code****Effective January 1, 2014**

A. GENERAL: A model aircraft is a non-human-carrying aircraft capable of sustained flight in the atmosphere. It may not exceed limitations of this code and is intended exclusively for sport, recreation, education and/or competition. All model flights must be conducted in accordance with this safety code and any additional rules specific to the flying site.

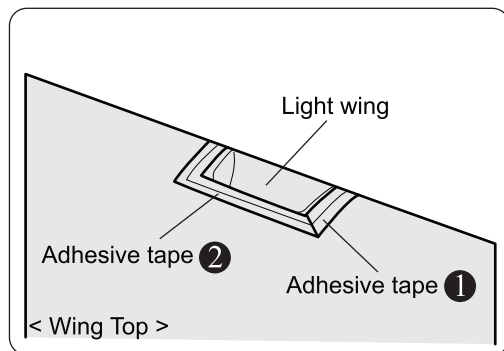
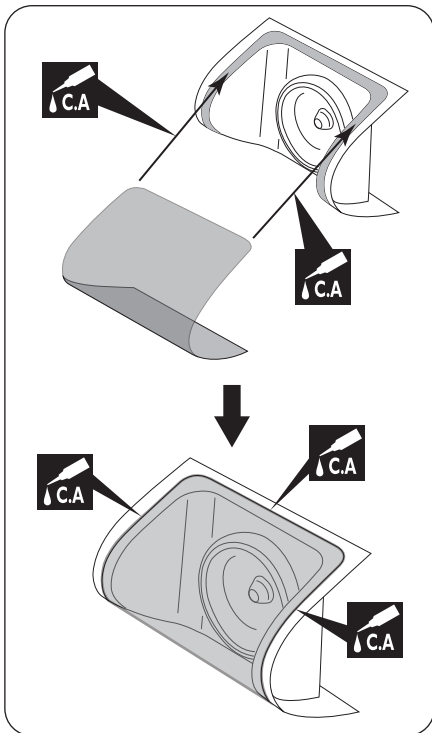
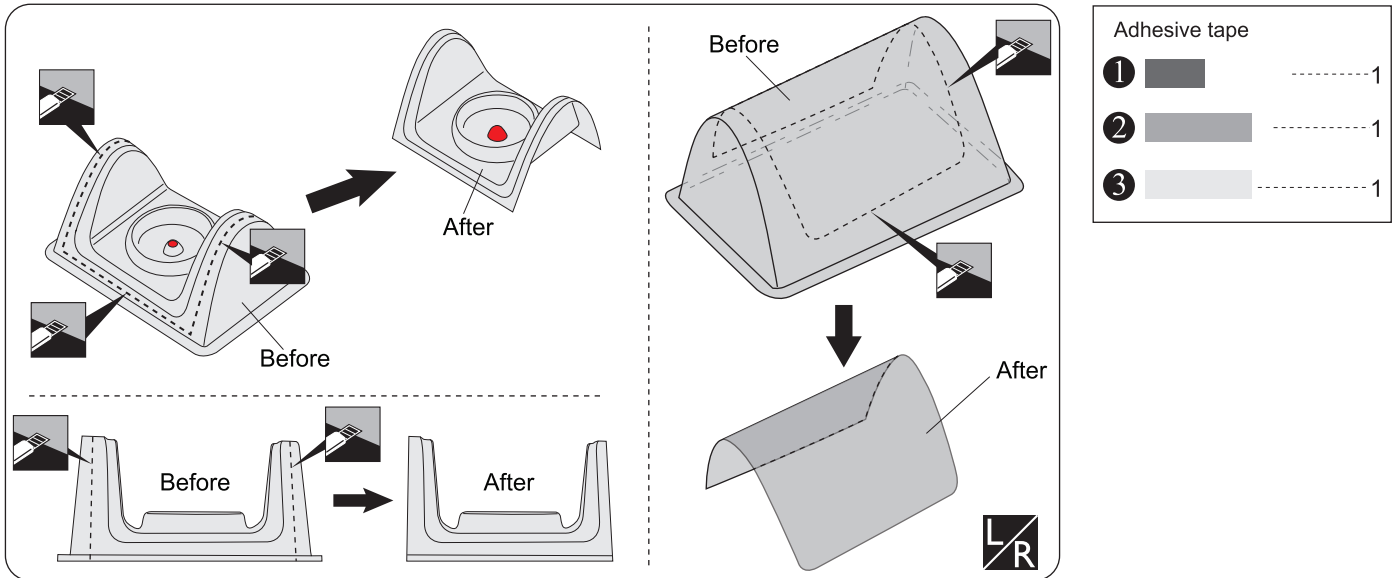
1. Model aircraft will not be flown:
  - (a) In a careless or reckless manner.
  - (b) At a location where model aircraft activities are prohibited.
2. Model aircraft pilots will:
  - (a) Yield the right of way to all human-carrying aircraft.
  - (b) See and avoid all aircraft and a spotter must be used when appropriate. (AMA Document #540-D.)
  - (c) Not fly higher than approximately 400 feet above ground level within three (3) miles of an airport without notifying the airport operator.
  - (d) Not interfere with operations and traffic patterns at any airport, heliport or seaplane base except where there is a mixed use agreement.
  - (e) Not exceed a takeoff weight, including fuel, of 55 pounds unless in compliance with the AMA Large Model Airplane program. (AMA Document 520-A.)
  - (f) Ensure the aircraft is identified with the name and address or AMA number of the owner on the inside or affixed to the outside of the model aircraft. (This does not apply to model aircraft flown indoors.)
  - (g) Not operate aircraft with metal-blade propellers or with gaseous boosts except for helicopters operated under the provisions of AMA Document #555.
  - (h) Not operate model aircraft while under the influence of alcohol or while using any drug that could adversely affect the pilot's ability to safely control the model.
  - (i) Not operate model aircraft carrying pyrotechnic devices that explode or burn, or any device which propels a projectile or drops any object that creates a hazard to persons or property.

**Exceptions:**

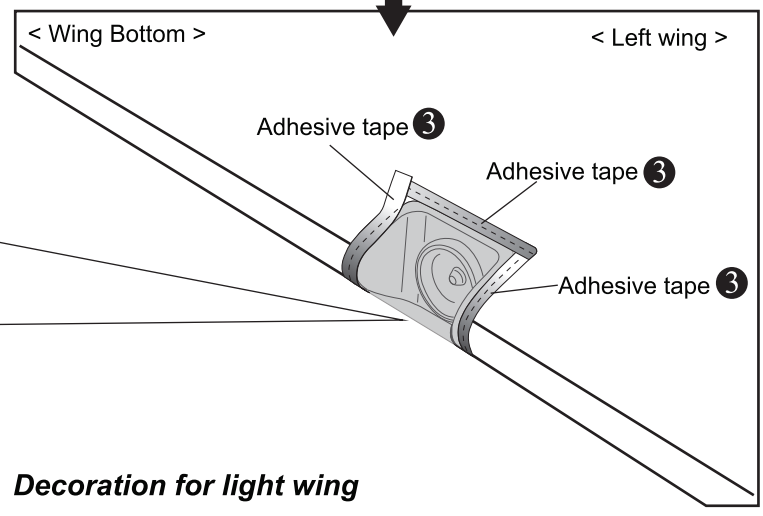
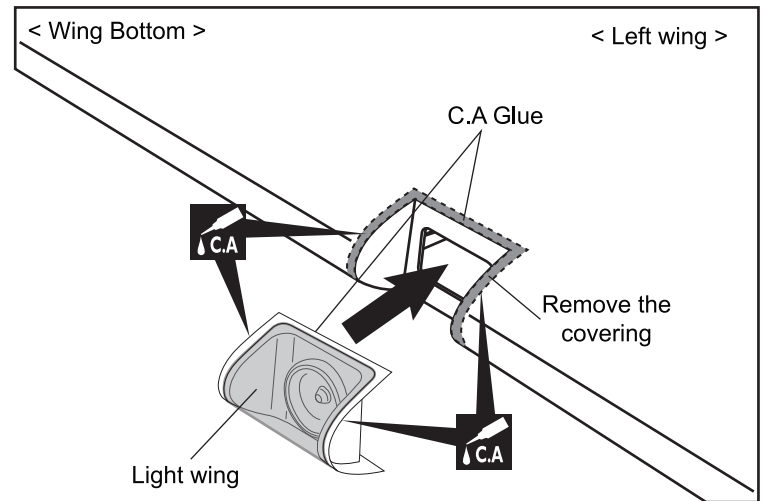
- Free Flight fuses or devices that burn producing smoke and are securely attached to the model aircraft during flight.
- Rocket motors (using solid propellant) up to a G-series size may be used provided they remain attached to the model during flight. Model rockets may be flown in accordance with the National Model Rocketry Safety Code but may not be launched from model aircraft.

- Officially designated AMA Air Show Teams (AST) are authorized to use devices and practices as defined within the Team AMA Program Document. (AMA Document #718.)
- (j) Not operate a turbine-powered aircraft, unless in compliance with the AMA turbine regulations. (AMA Document #510-A.)
- 3. Model aircraft will not be flown in AMA sanctioned events, air shows or model demonstrations unless:
  - (a) The aircraft, control system and pilot skills have successfully demonstrated all maneuvers intended or anticipated prior to the specific event.
  - (b) An inexperienced pilot is assisted by an experienced pilot.
- 4. When and where required by rule, helmets must be properly worn and fastened. They must be OSHA, DOT, ANSI, SNELL or NOCSAE approved or comply with comparable standards.
- B. RADIO CONTROL (RC)
  - 1. All pilots shall avoid flying directly over unprotected people, vessels, vehicles or structures and shall avoid endangerment of life and property of others.
  - 2. A successful radio equipment ground-range check in accordance with manufacturer's recommendations will be completed before the first flight of a new or repaired model aircraft.
  - 3. At all flying sites a safety line(s) must be established in front of which all flying takes place. (AMA Document #706.)
    - (a) Only personnel associated with flying the model aircraft are allowed at or in front of the safety line.
    - (b) At air shows or demonstrations, a straight safety line must be established.
    - (c) An area away from the safety line must be maintained for spectators.
    - (d) Intentional flying behind the safety line is prohibited.
  - 4. RC model aircraft must use the radio-control frequencies currently allowed by the Federal Communications Commission (FCC). Only individuals properly licensed by the FCC are authorized to operate equipment on Amateur Band frequencies.
  - 5. RC model aircraft will not knowingly operate within three (3) miles of any pre-existing flying site without a frequency-management agreement. (AMA Documents #922 and #923.)
  - 6. With the exception of events flown under official AMA Competition Regulations, excluding takeoff and landing, no powered model may be flown outdoors closer than 25 feet to any individual, except for the pilot and the pilot's helper(s) located at the flightline.
  - 7. Under no circumstances may a pilot or other person touch an outdoor model aircraft in flight while it is still under power, except to divert it from striking an individual.
  - 8. RC night flying requires a lighting system providing the pilot with a clear view of the model's attitude and orientation at all times. Hand-held illumination systems are inadequate for night flying operations.
  - 9. The pilot of an RC model aircraft shall:
    - (a) Maintain control during the entire flight, maintaining visual contact without enhancement other than by corrective lenses prescribed for the pilot.
    - (b) Fly using the assistance of a camera or First-Person View (FPV) only in accordance with the procedures outlined in AMA Document #550.
    - (c) Fly using the assistance of autopilot or stabilization system only in accordance with the procedures outlined in AMA Document #560.
- C. FREE FLIGHT
  - 1. Must be at least 100 feet downwind of spectators and automobile parking when the model aircraft is launched.
  - 2. Launch area must be clear of all individuals except mechanics, officials, and other fliers.
  - 3. An effective device will be used to extinguish any fuse on the model aircraft after the fuse has completed its function.
- D. CONTROL LINE
  - 1. The complete control system (including the safety thong where applicable) must have an inspection and pull test prior to flying.
  - 2. The pull test will be in accordance with the current Competition Regulations for the applicable model aircraft category.
  - 3. Model aircraft not fitting a specific category shall use those pull-test requirements as indicated for Control Line Precision Aerobatics.
  - 4. The flying area must be clear of all utility wires or poles and a model aircraft will not be flown closer than 50 feet to any above-ground electric utility lines.
  - 5. The flying area must be clear of all nonessential participants and spectators before the engine is started.




**INSTALLING THE LIGHT WING**



**Apply instant glue light wing**

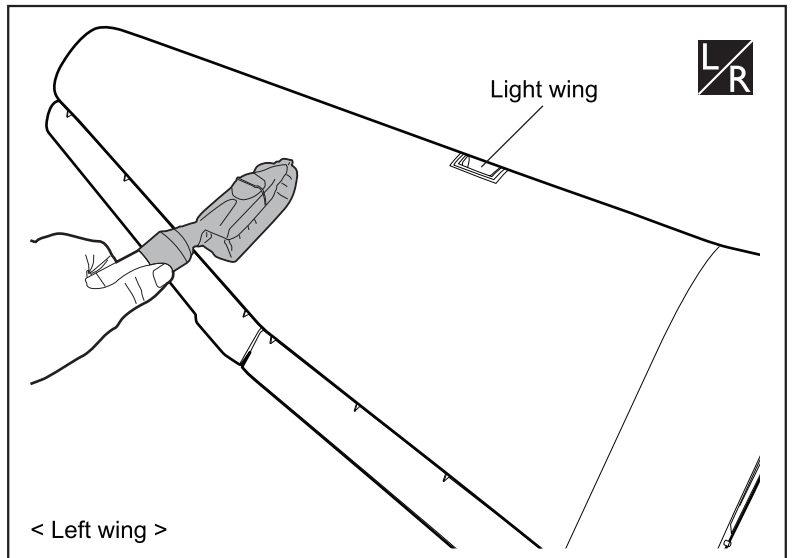



**Decoration for light wing**

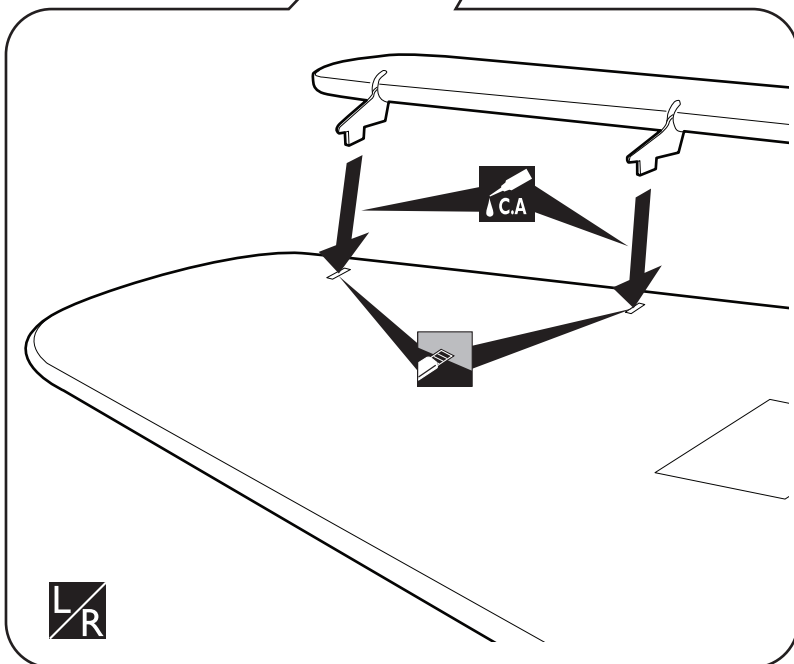
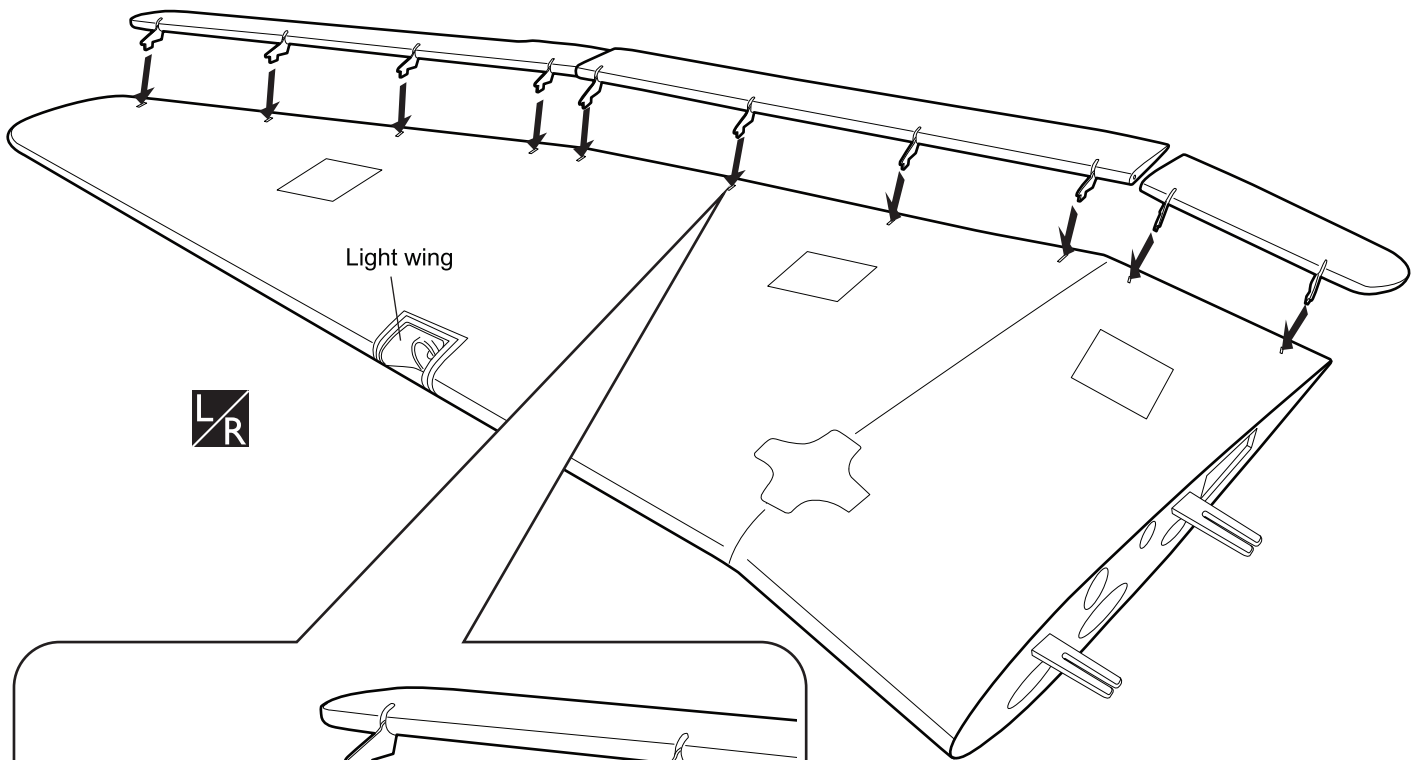
-  Assemble left and right sides the same way
-  Cut off shaded portion
-  Apply instant glue (CA glue, super glue).




**PREPARATIONS**

Use a covering iron with a covering sock on high heat to tighten the covering if necessary. Apply pressure over sheeted areas to thoroughly bond the covering to the wood.



 Assemble left and right sides the same way



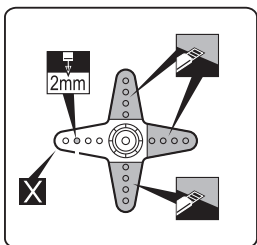
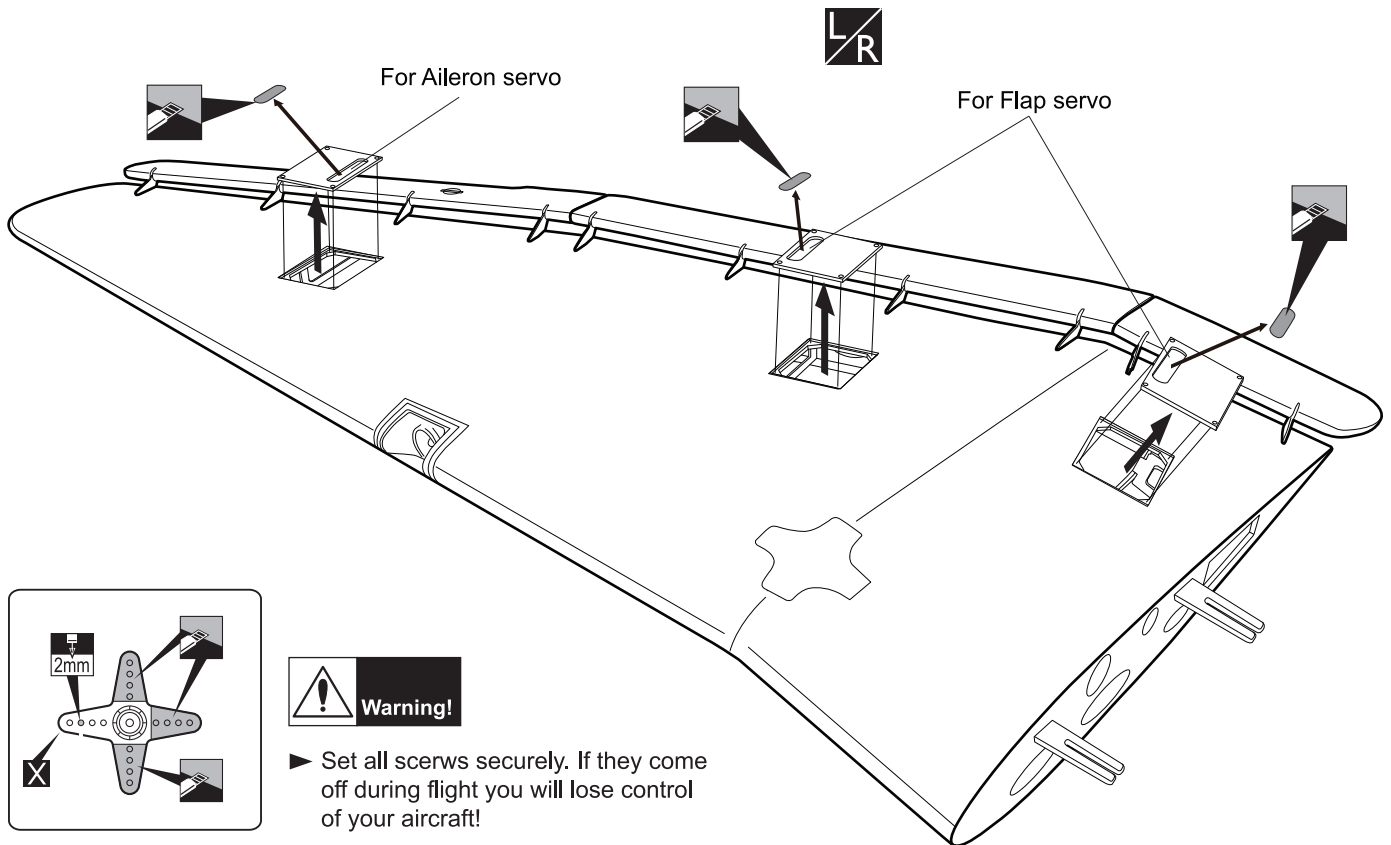
-  Cut off shaded portion
-  Assemble left and right sides the same way
-  Apply instant glue (CA glue, super glue).

## INSTALLING THE AILERONS AND FLAPS

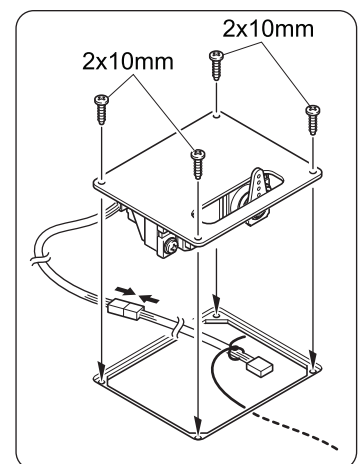
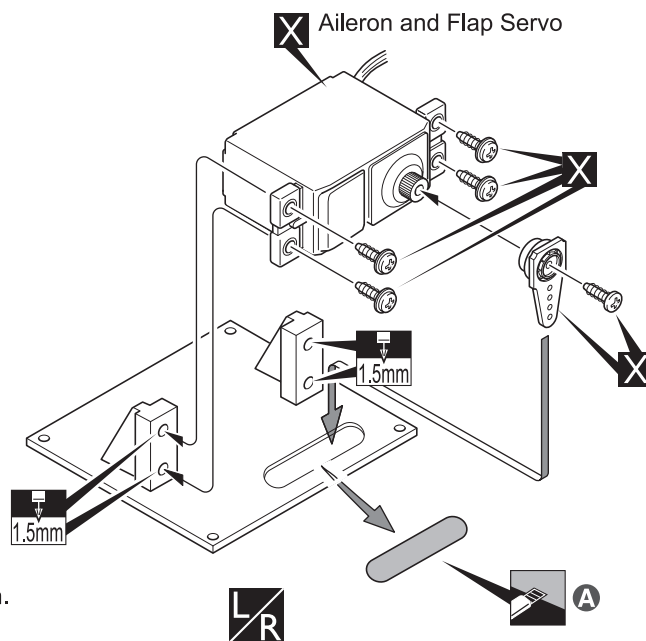
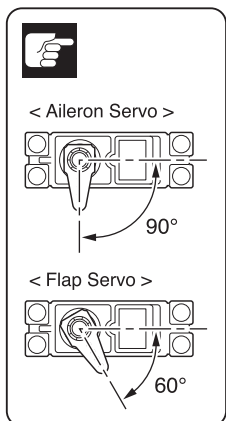
### SERVOS

1. Install the rubber grommets and brass eyelets onto the aileron servo.
2. Using a modeling knife, remove the covering from over the servo box.
3. Place the servo into the servo box. Center the servo and drill pilot holes through the block of wood for each of the four mounting screws provided with the servo.

4. Using the thread as a guide and using masking tape, tape the servo lead to the end of the thread: carefully pull the thread out. When you have pulled the servo lead out, remove the masking tape and the servo lead from the thread.
5. Repeat step # 2 - # 5 to install the second aileron servo in the opposite wing half.

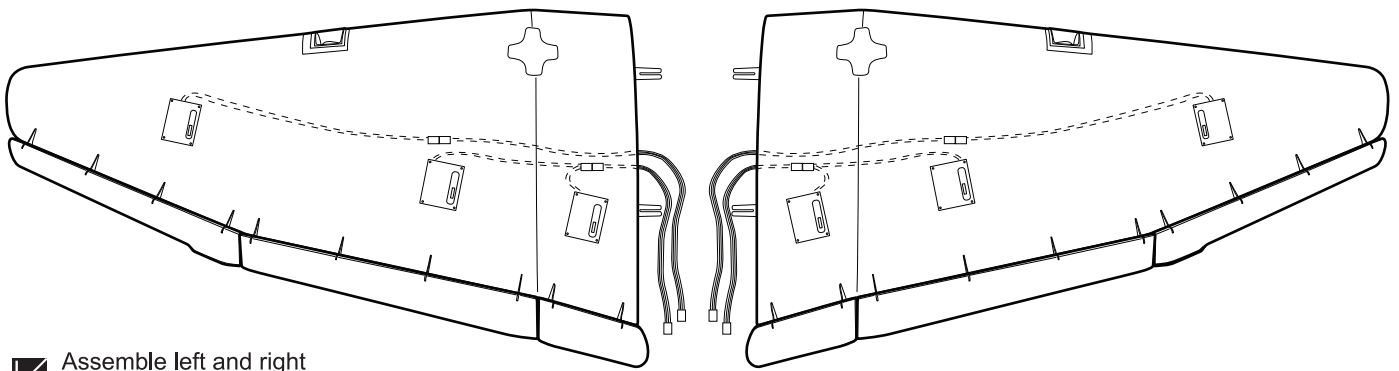
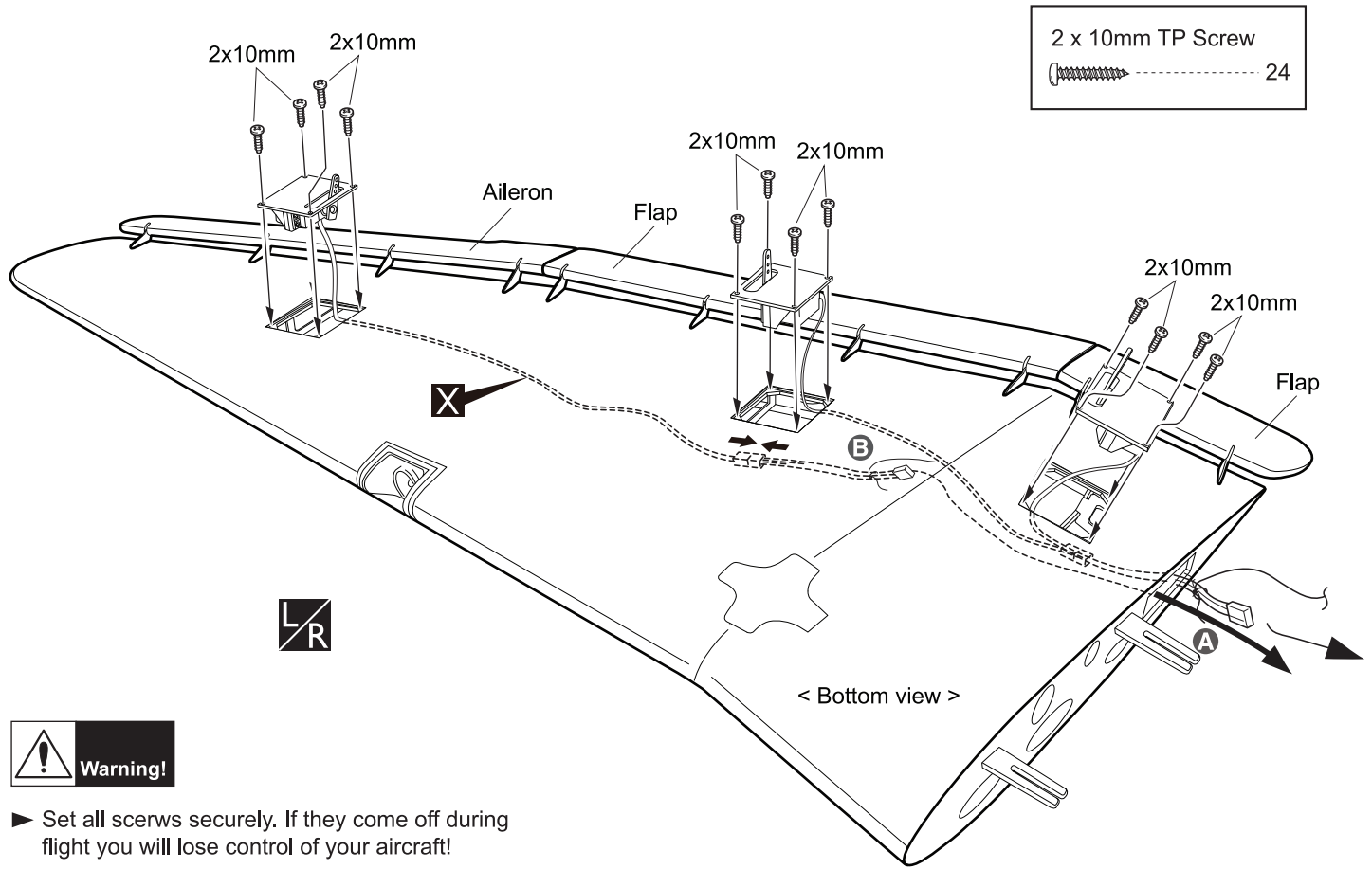


Warning!  
 ▶ Set all screws securely. If they come off during flight you will lose control of your aircraft!



- Cut off shaded portion.
- Must be purchased separately!
- Pay close attention here!
- Assemble left and right sides the same way





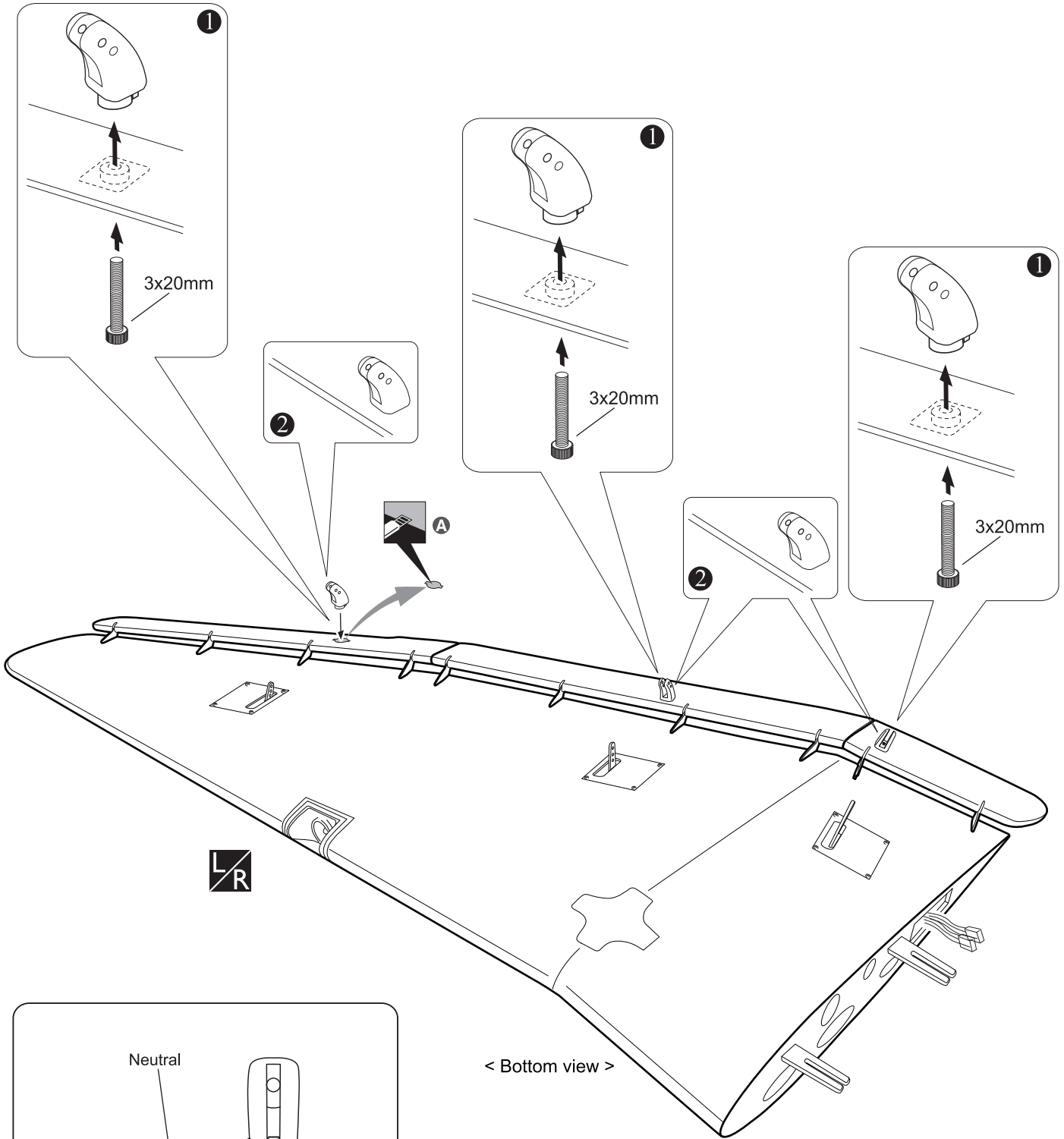
- X Must be purchased separately!

- A Pull out servo cord with string.
- B Tie the string.

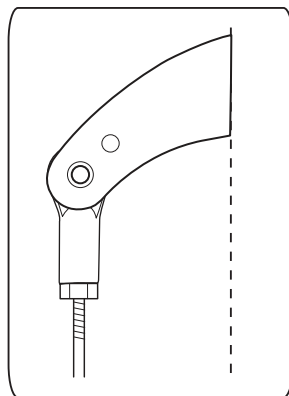
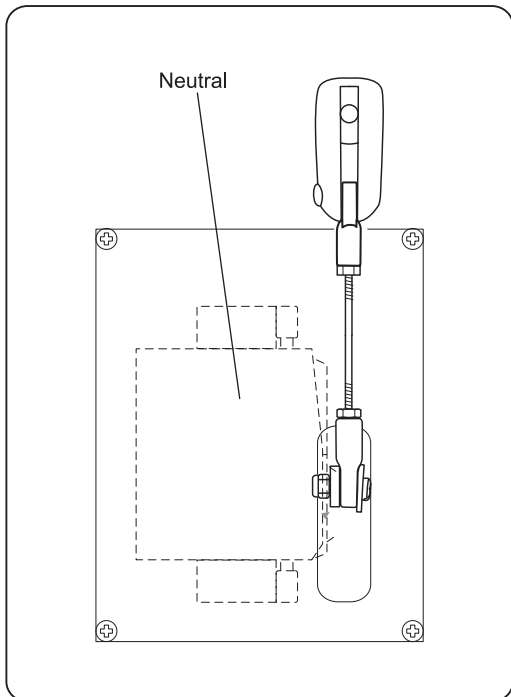
**INSTALLING THE AILERON AND FLAP LINKAGES**




3 x 12mm Screw	.....12
3mm Nylon Nut	.....6
3mm Washer	.....6
Aluminum ball	.....12
	.....12

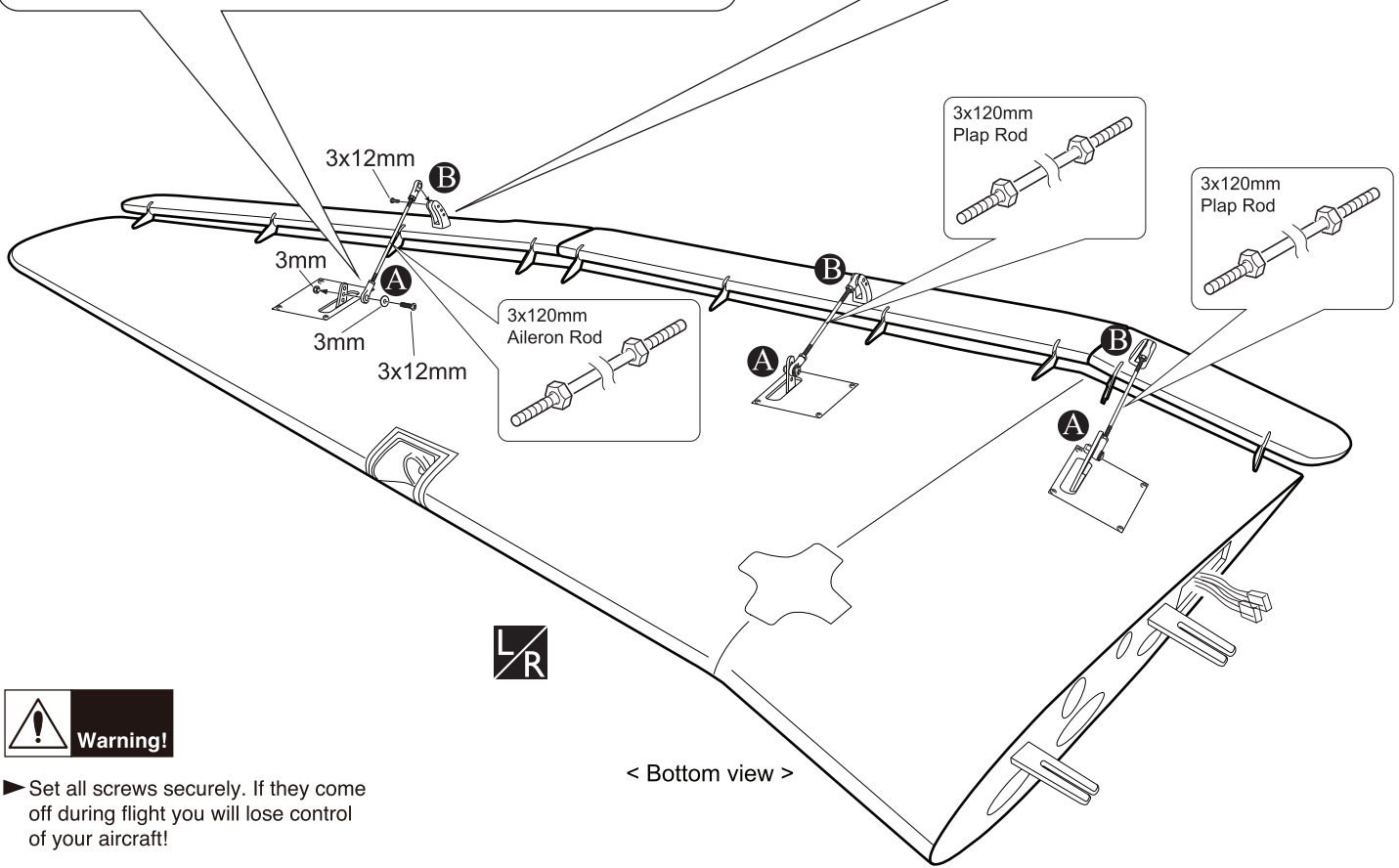
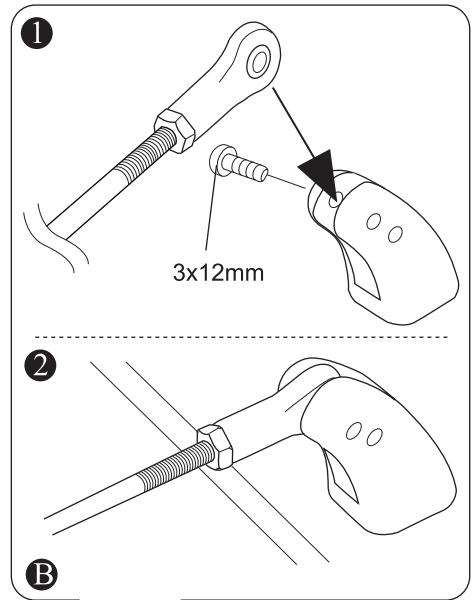
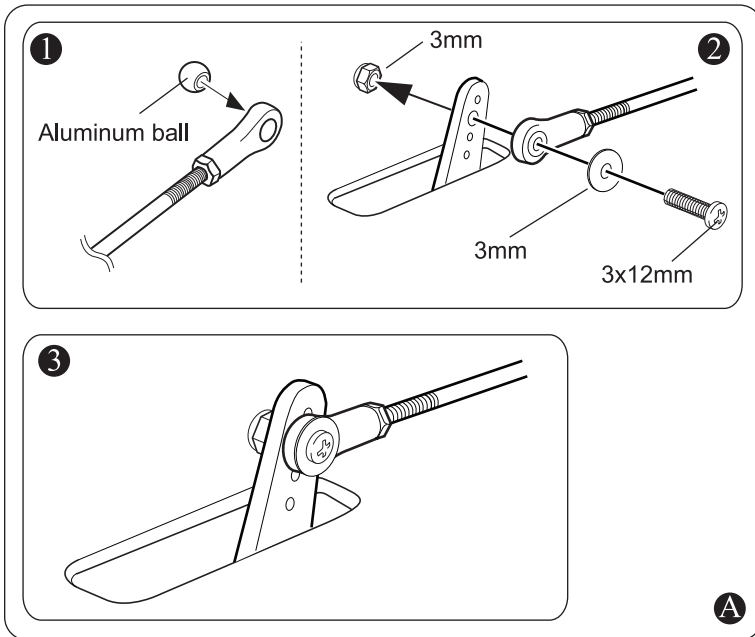
	.....6
	.....6
3 x 20mm Cap Screw	.....6
3 x 120mm Push rod	.....6



< Bottom view >



-  A Cut away film only here.
-  Cut off shaded portion
-  Assemble left and right sides the same way

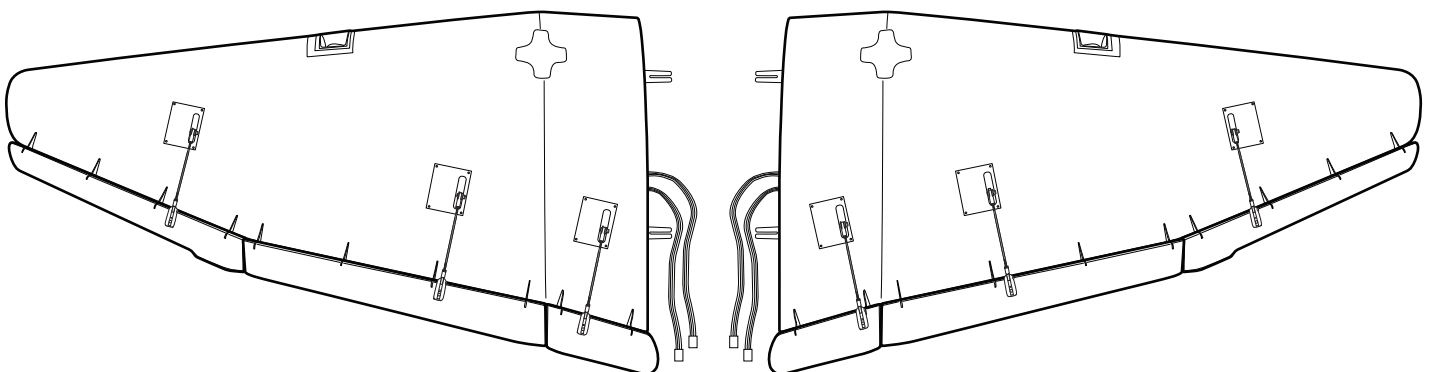



**Warning!**

► Set all screws securely. If they come off during flight you will lose control of your aircraft!

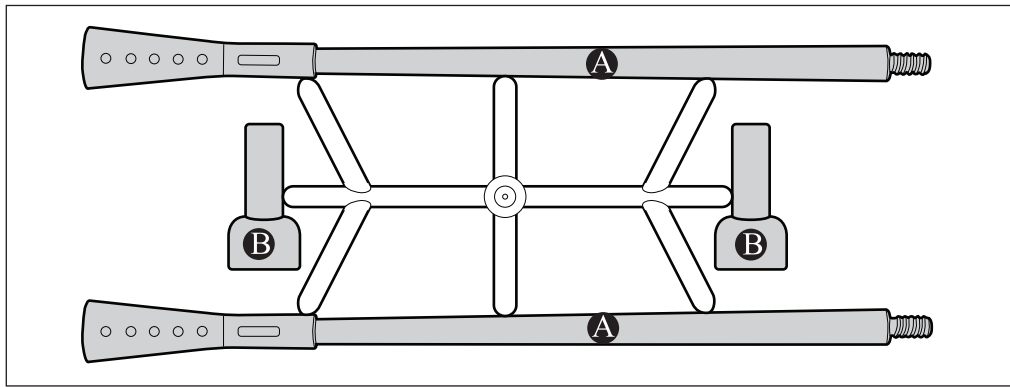
< Right Wing >

< Left Wing >

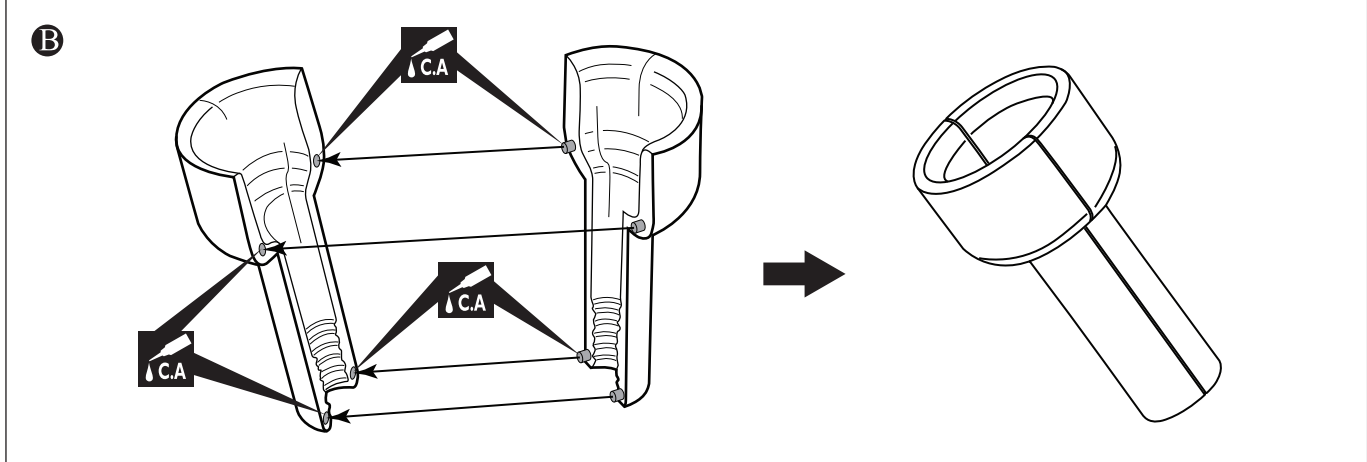
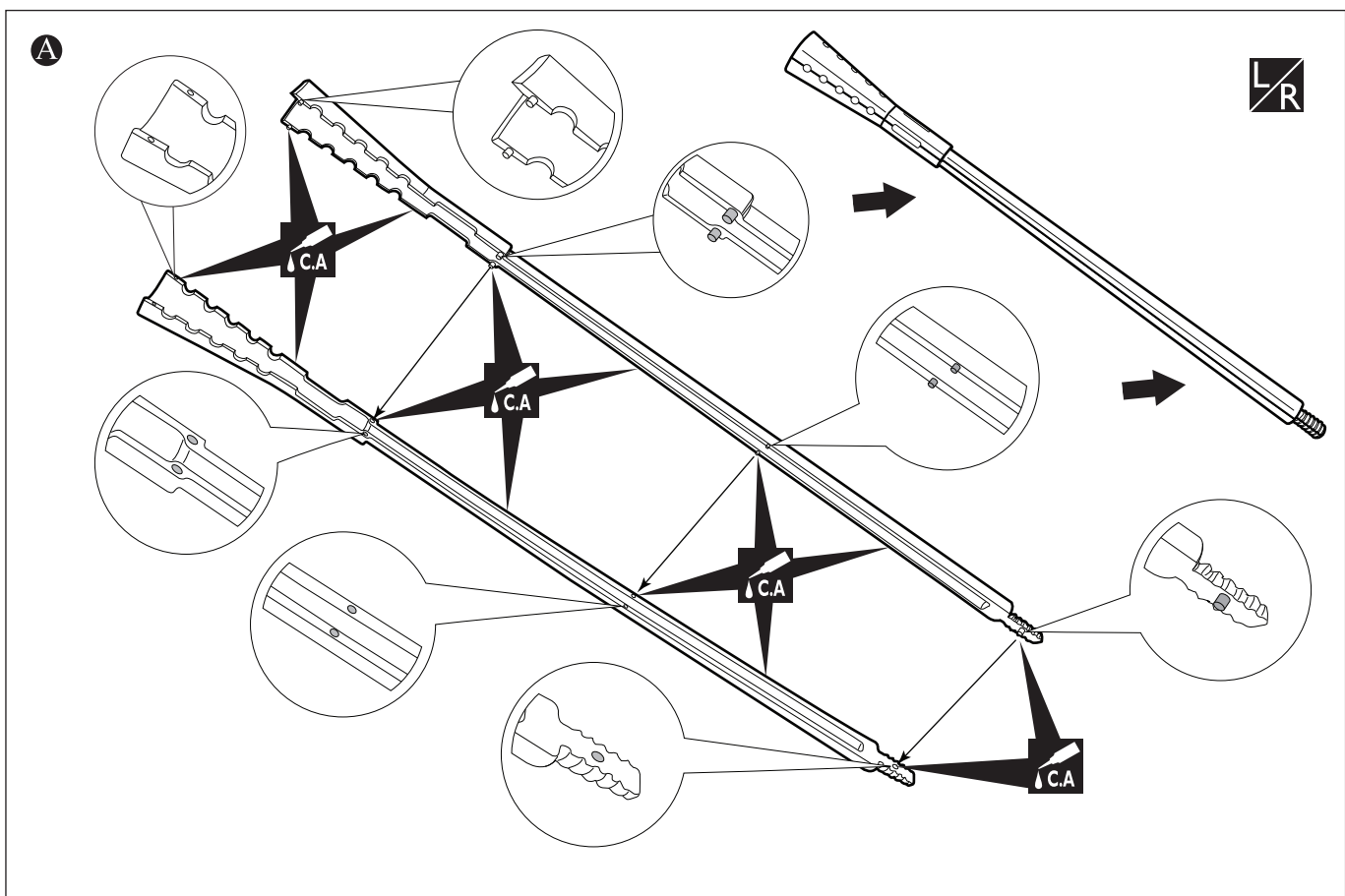


 Assemble left and right sides the same way

**INSTALLING THE GUN**



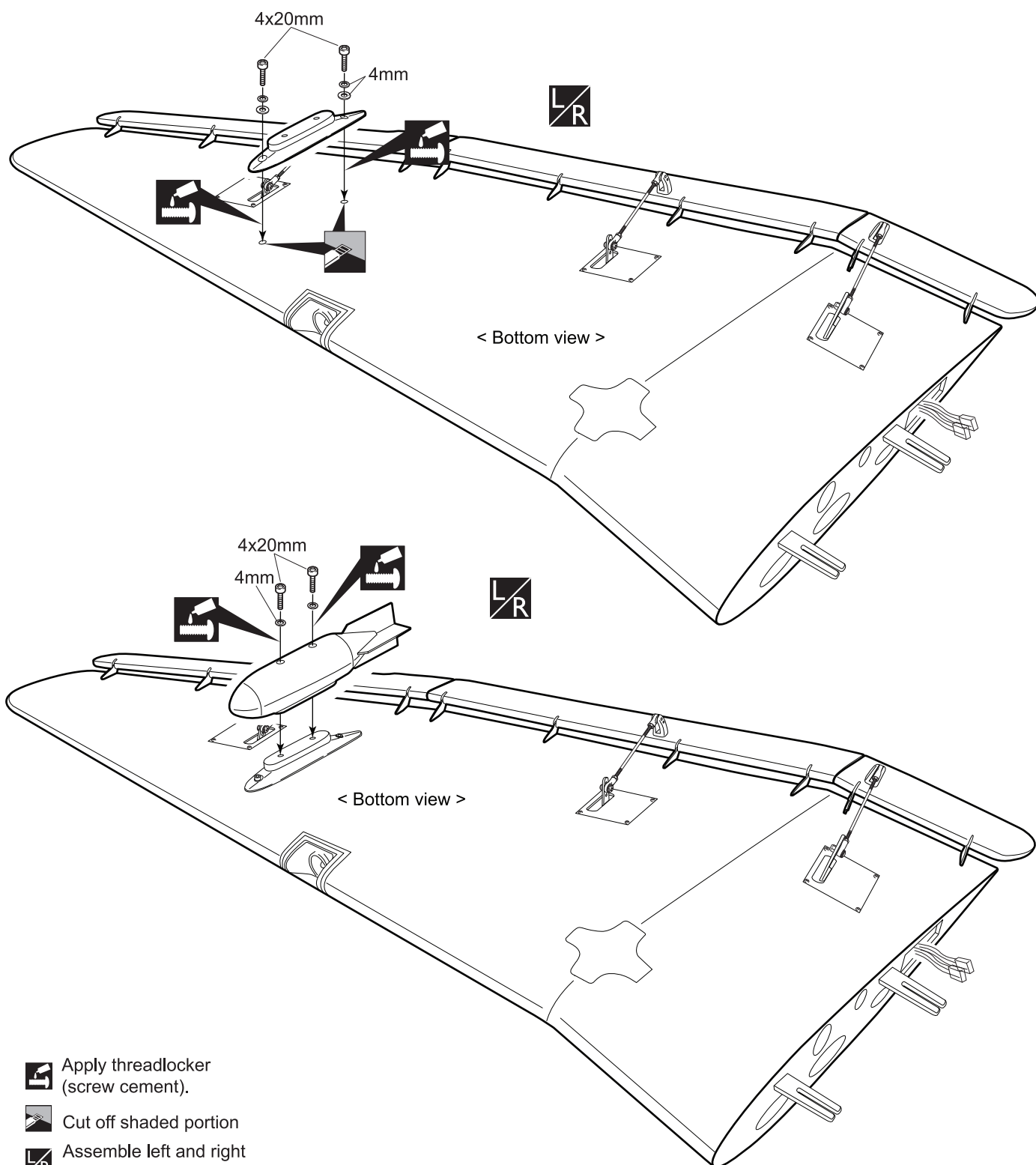
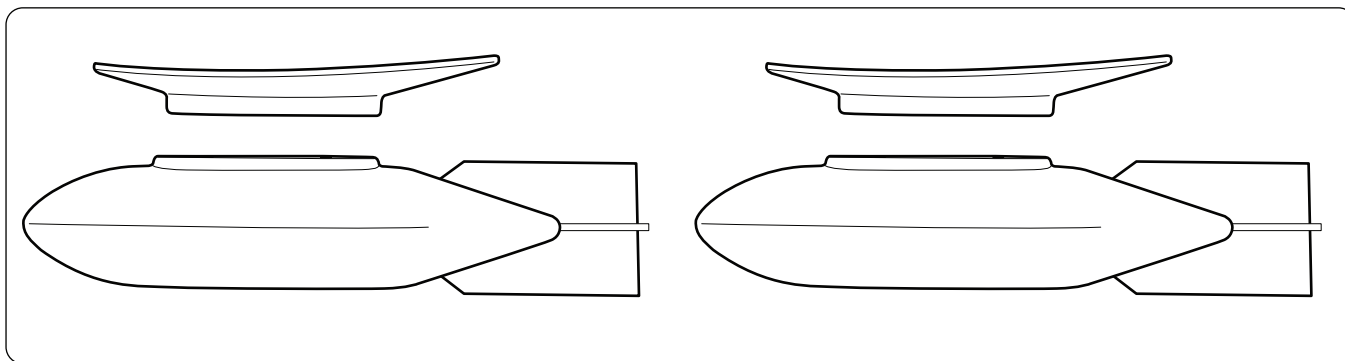
- 4 x 20mm Screw ..... 20
- 4mm Washer ..... 16
- 4mm Spring Washer ..... 20
- ..... 4






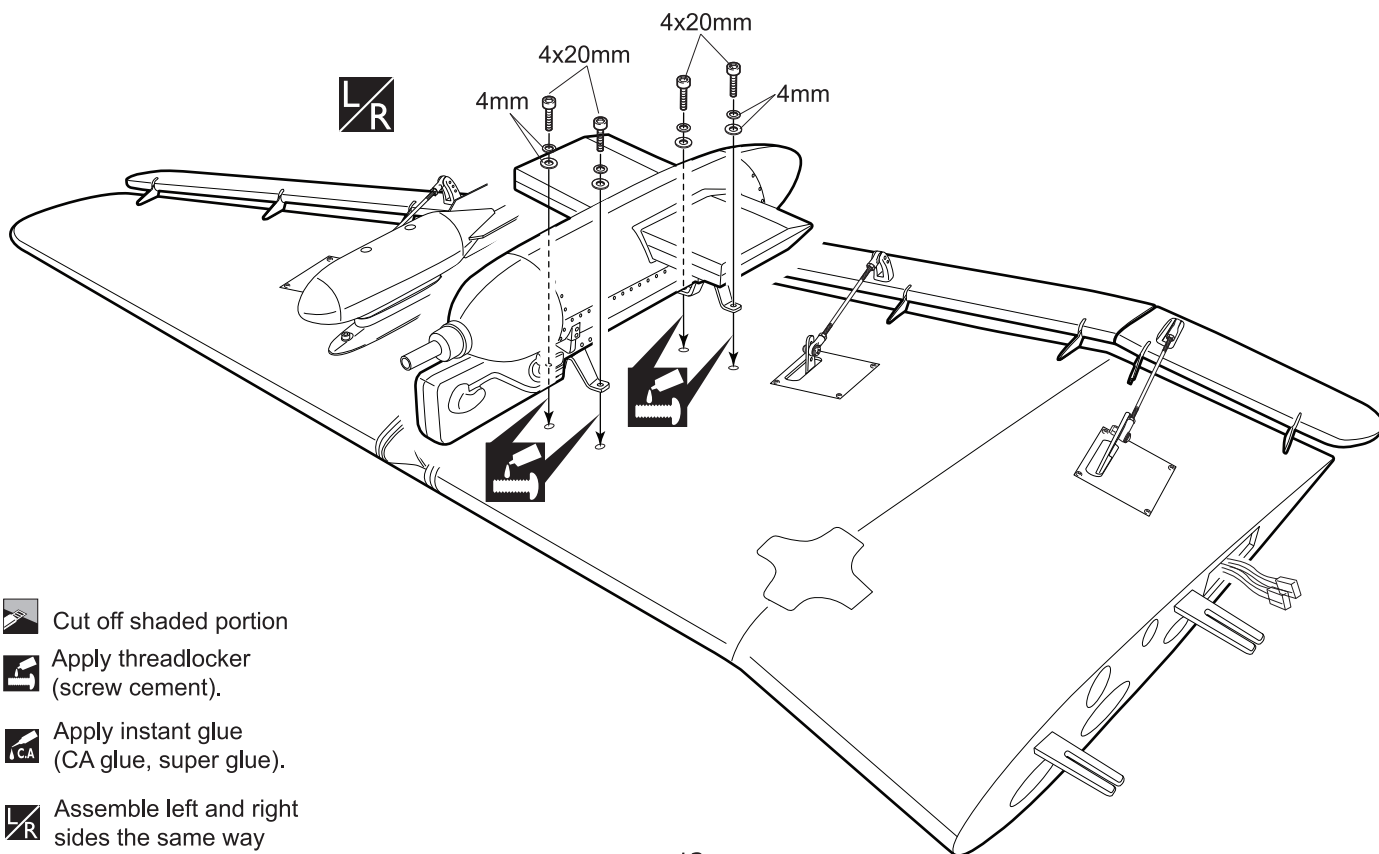
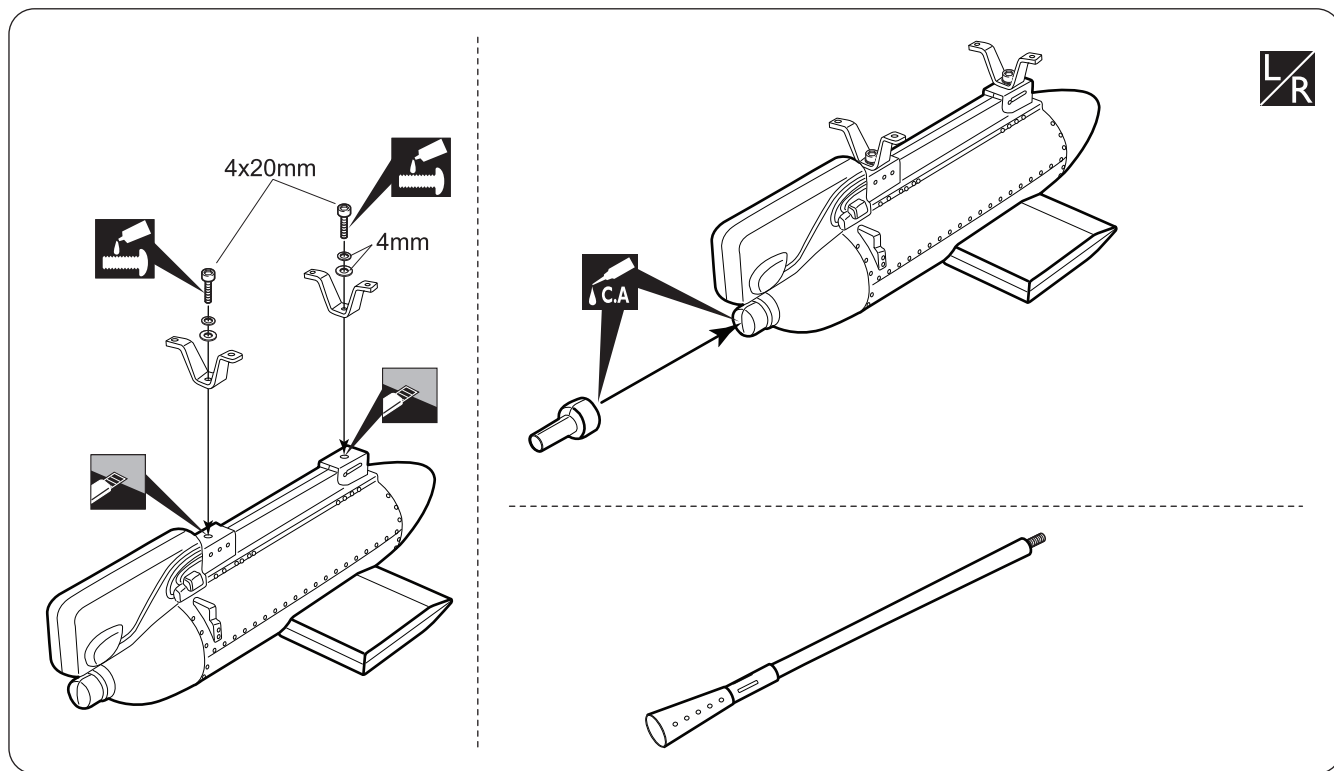
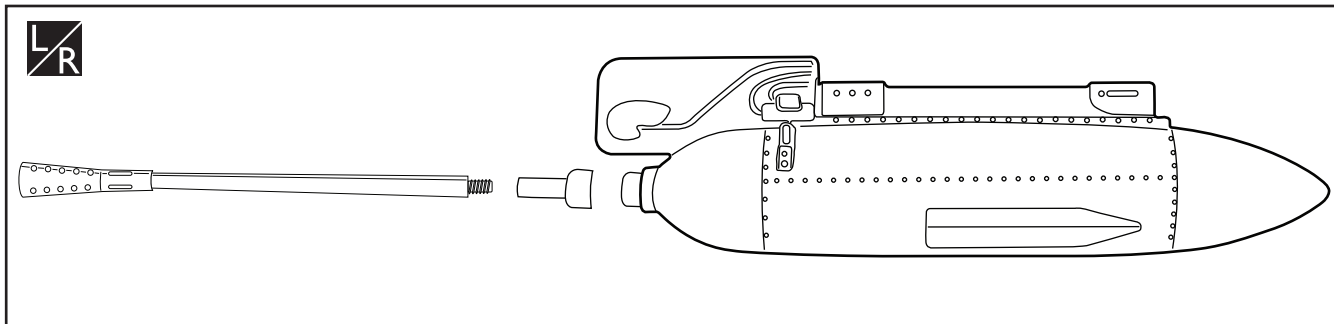
Assemble left and right sides the same way





Apply instant glue (CA glue, super glue).

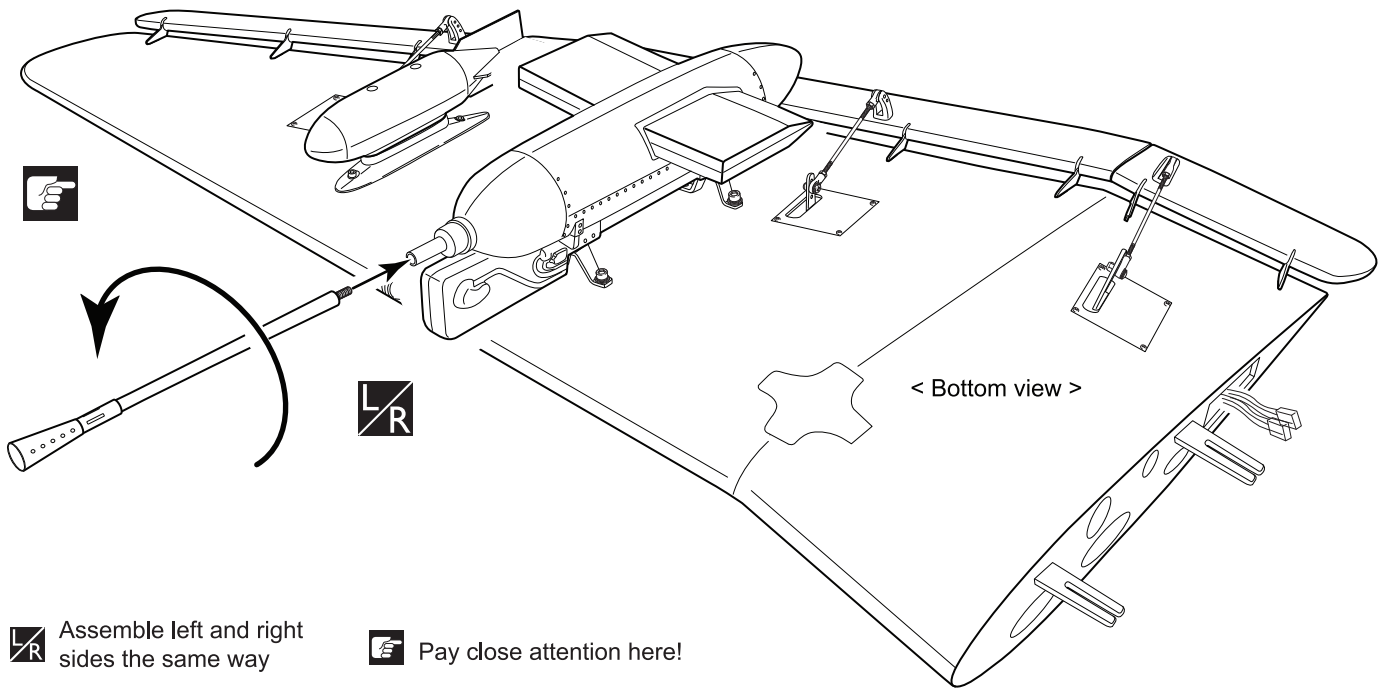
**INSTALLING THE BOMB AND TANK**





-  Apply threadlocker (screw cement).
-  Cut off shaded portion
-  Assemble left and right sides the same way

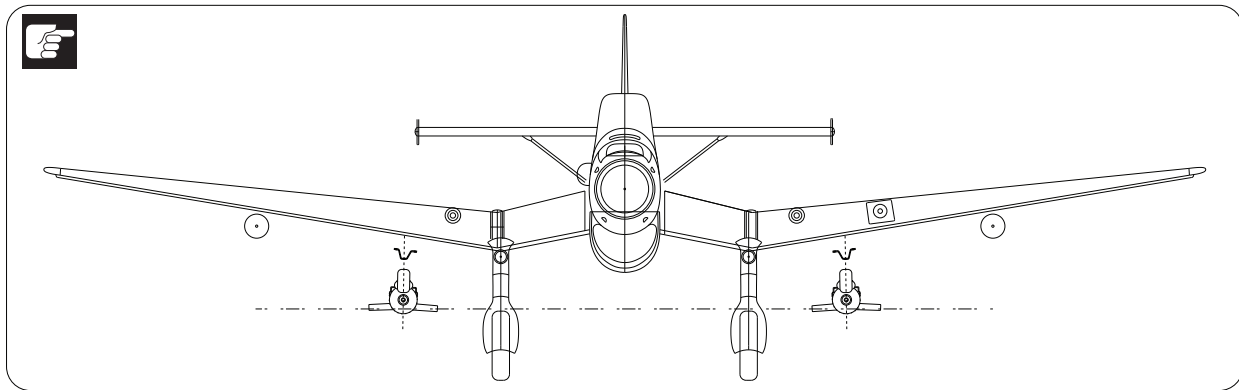


-  Cut off shaded portion
-  Apply threadlocker (screw cement).
-  Apply instant glue (CA glue, super glue).
-  Assemble left and right sides the same way

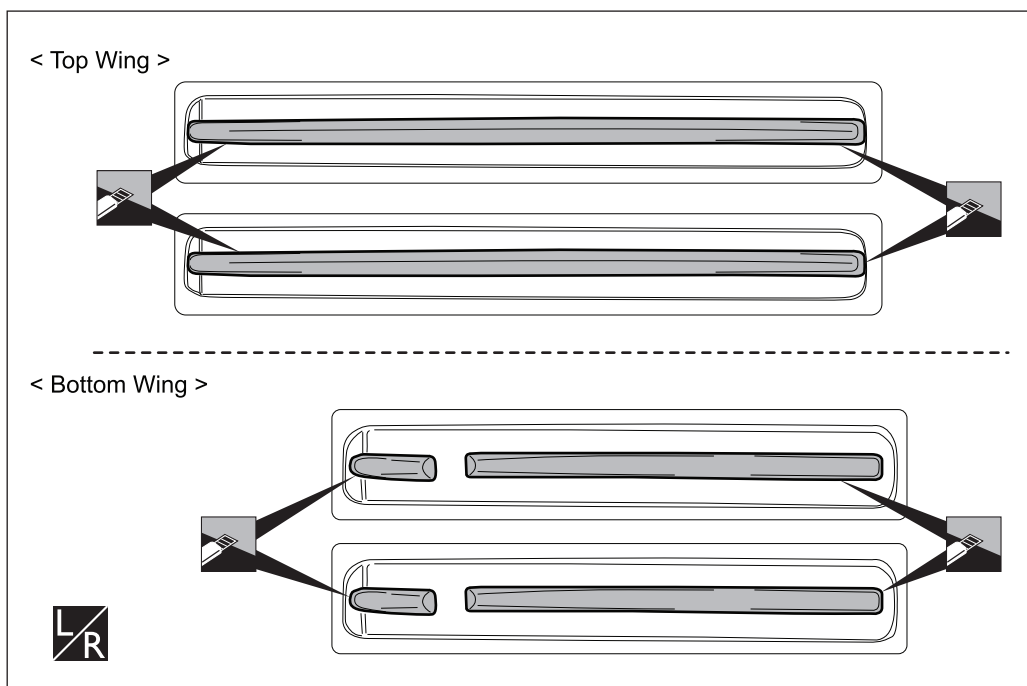


 Assemble left and right sides the same way

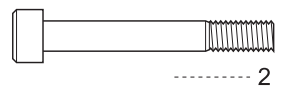
 Pay close attention here!



### INSTALLING THE MAIN LANDING GEAR



6 x 55mm Cap Screw



6mm Washer



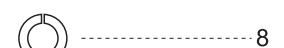
4 x 20mm Screw



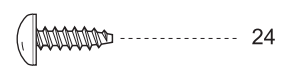
4mm Washer





4mm Spring Washer

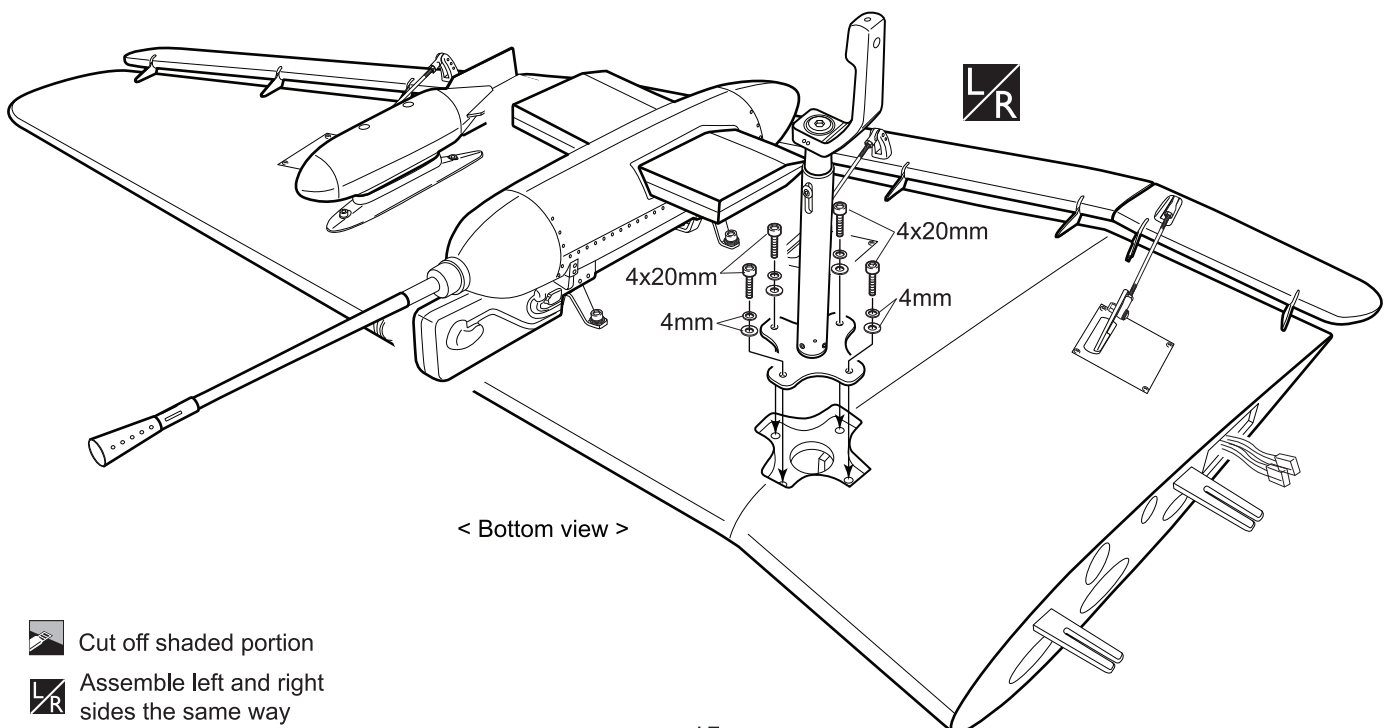
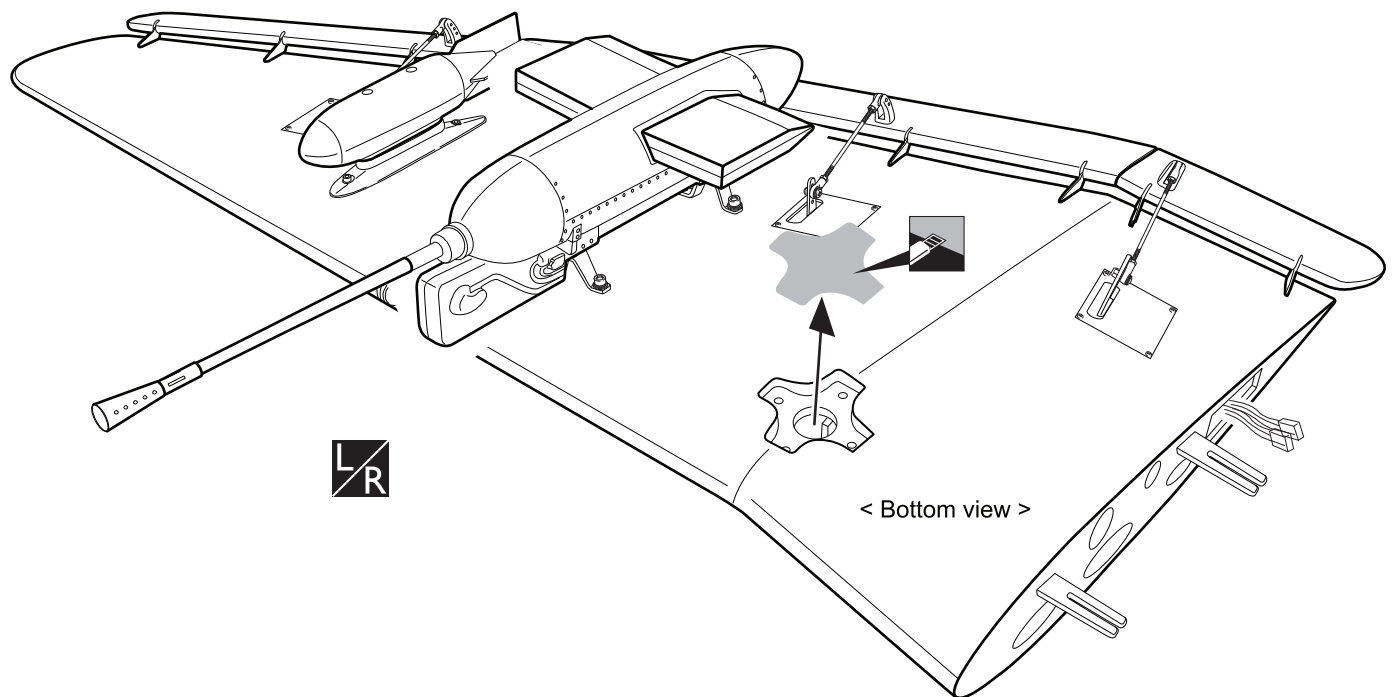
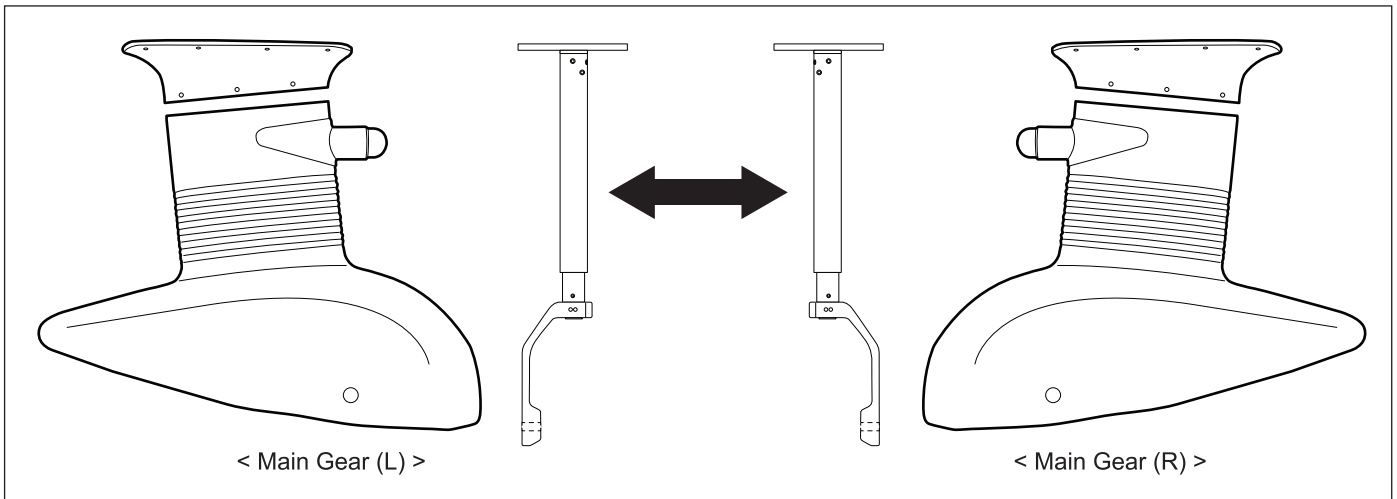




3 x 10mm TP Screw



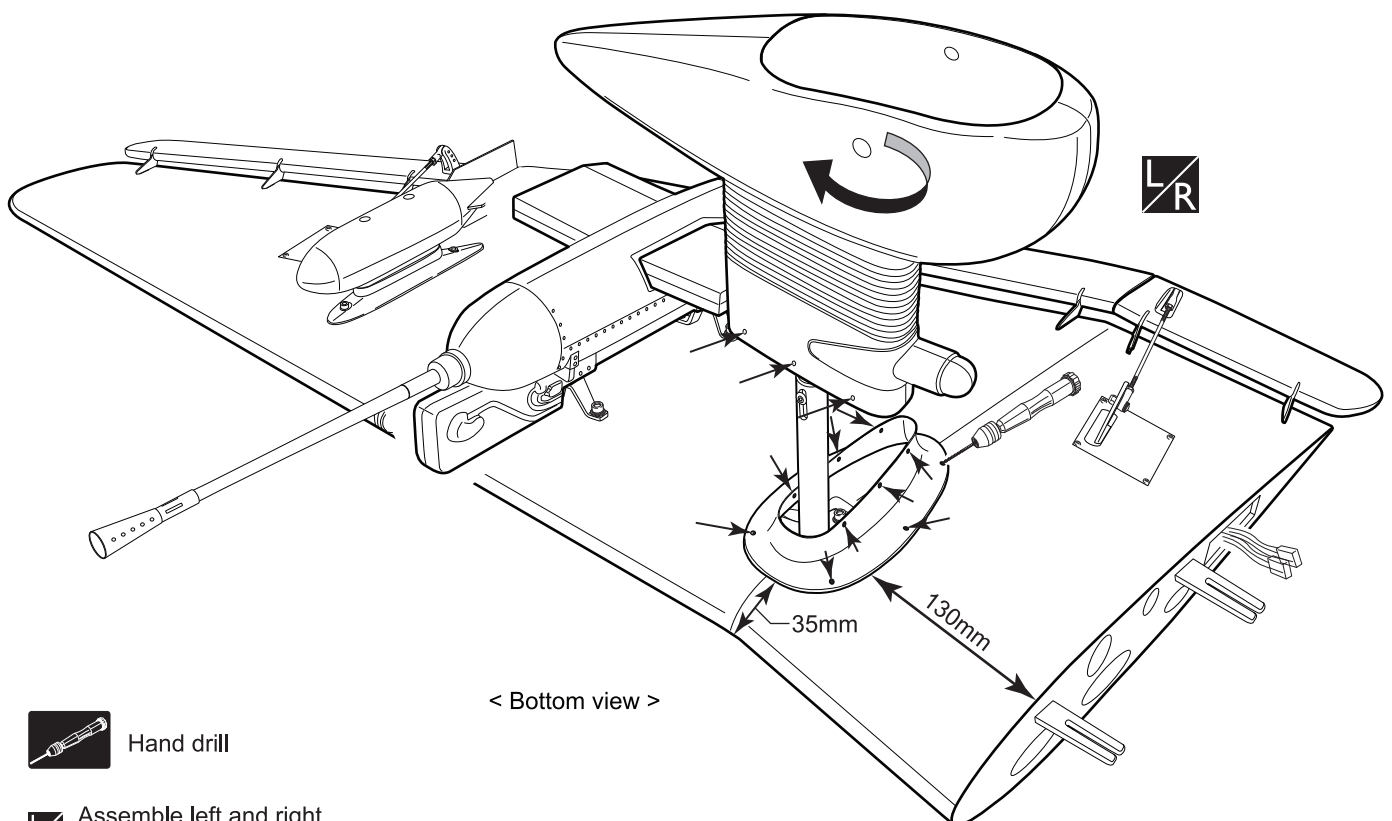
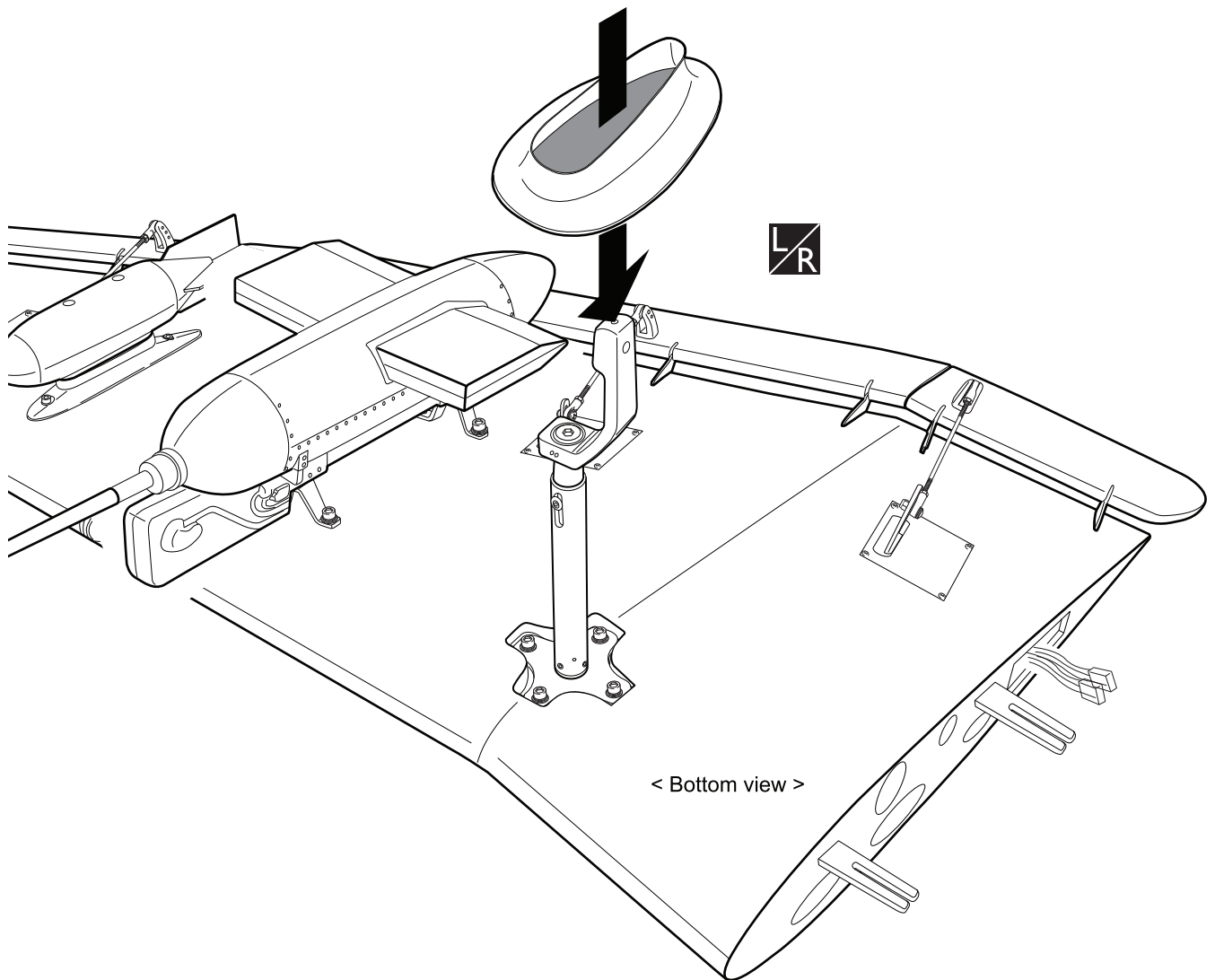
 Cut off shaded portion

 Assemble left and right sides the same way



-  Cut off shaded portion
-  Assemble left and right sides the same way

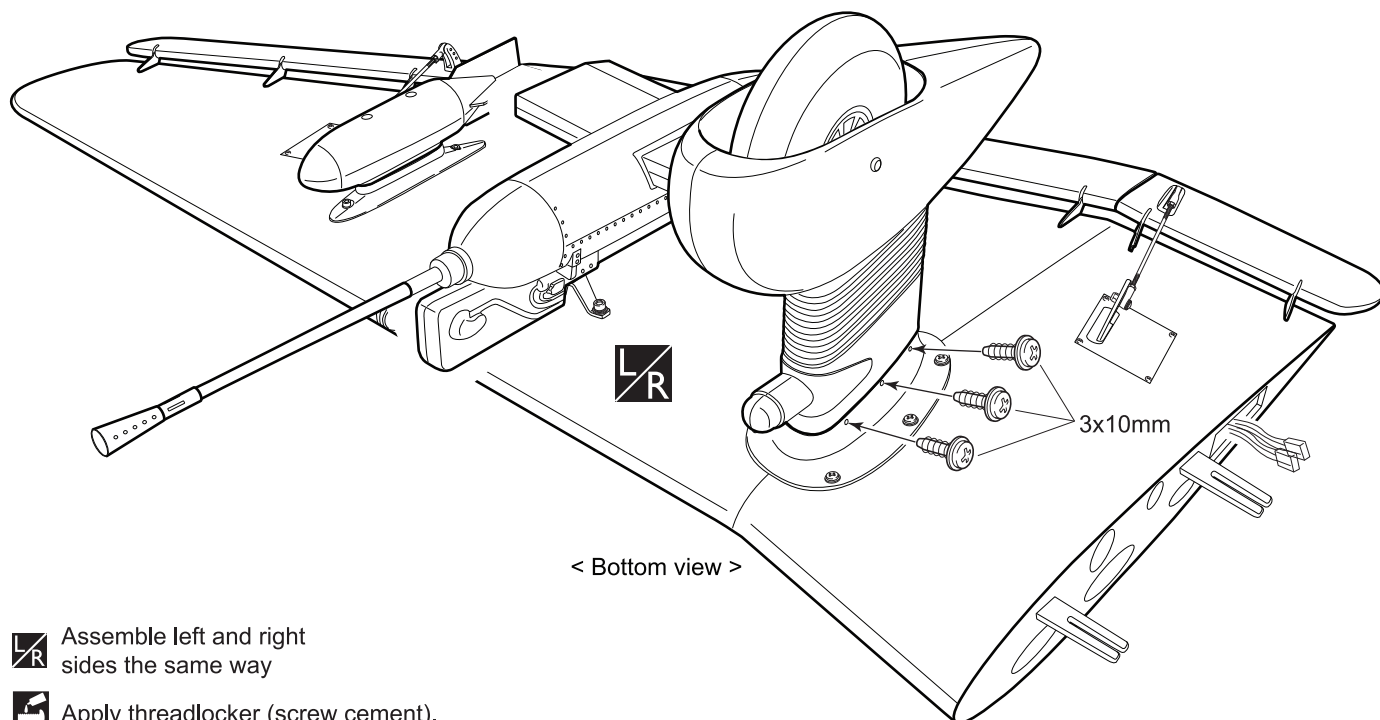
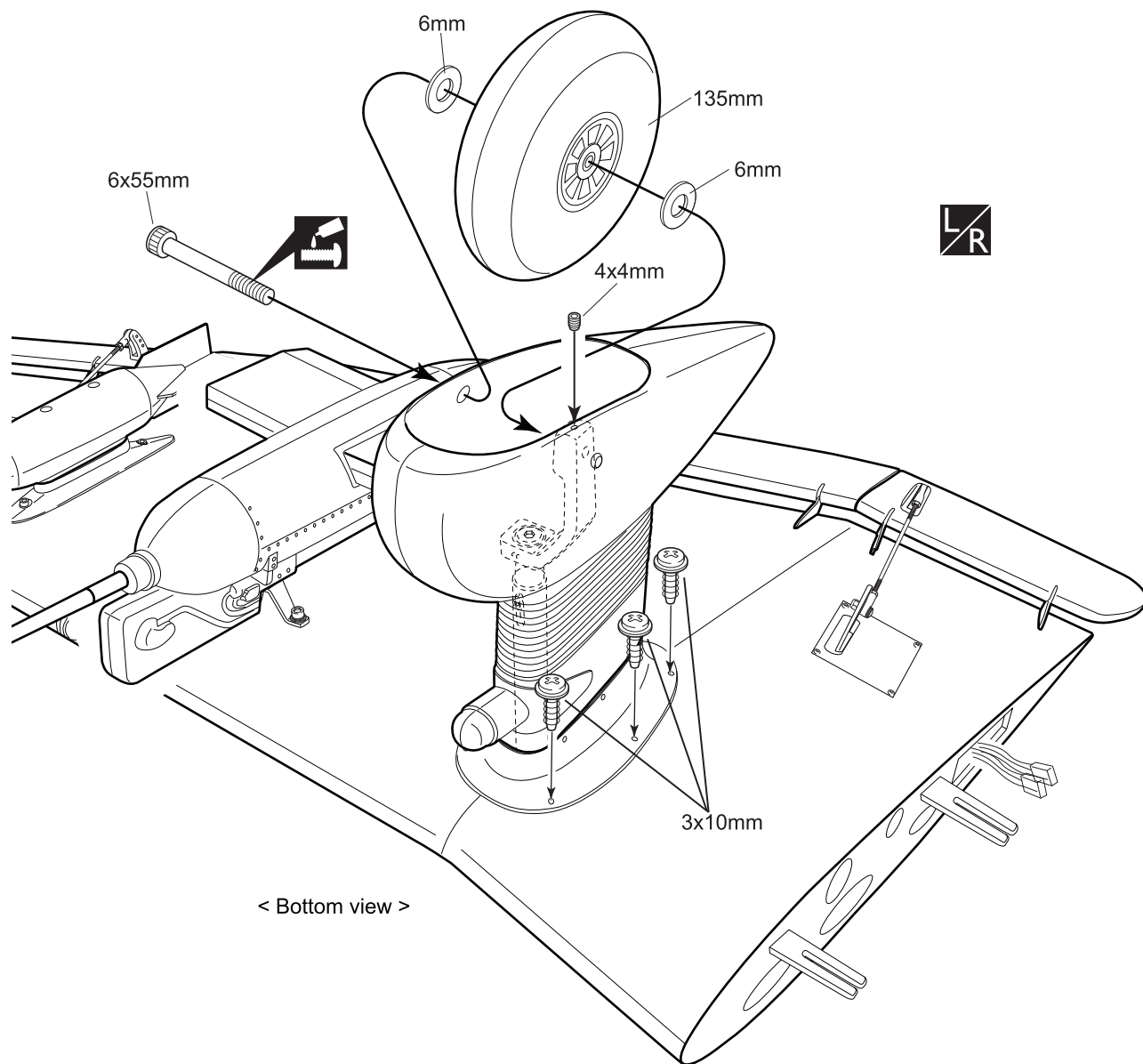




Hand drill

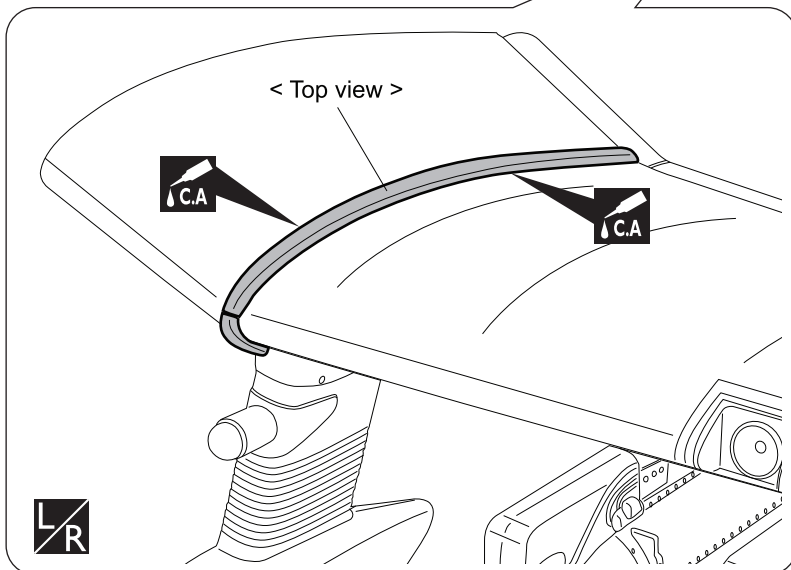
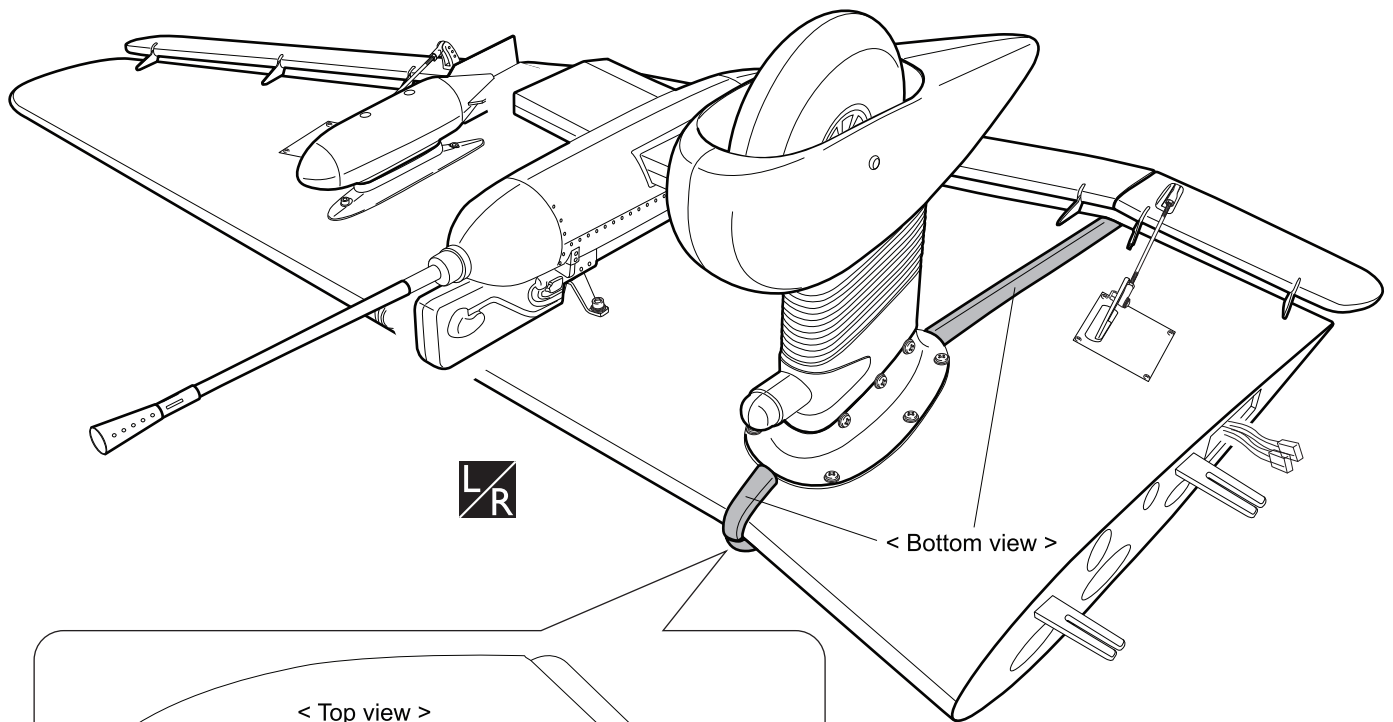
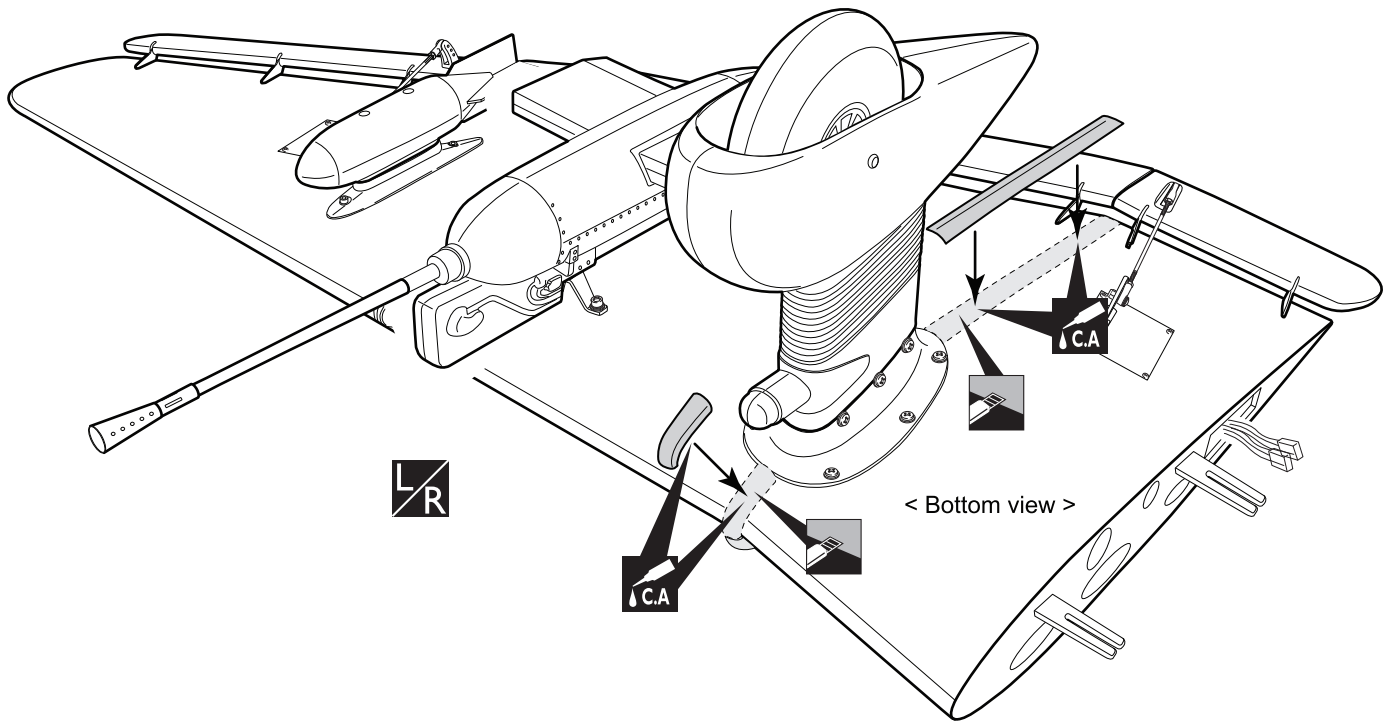





Assemble left and right sides the same way



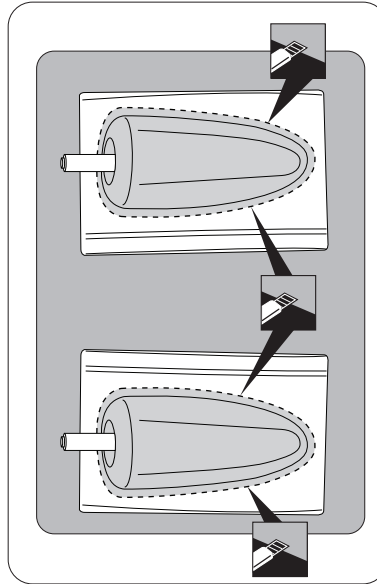
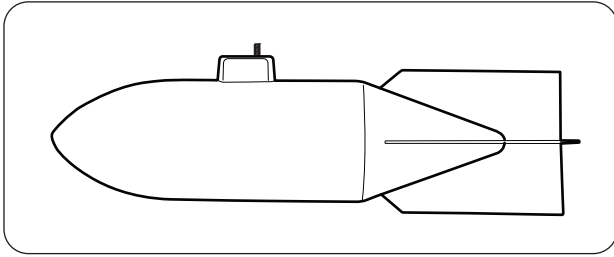
LR Assemble left and right sides the same way

Apply threadlocker (screw cement).

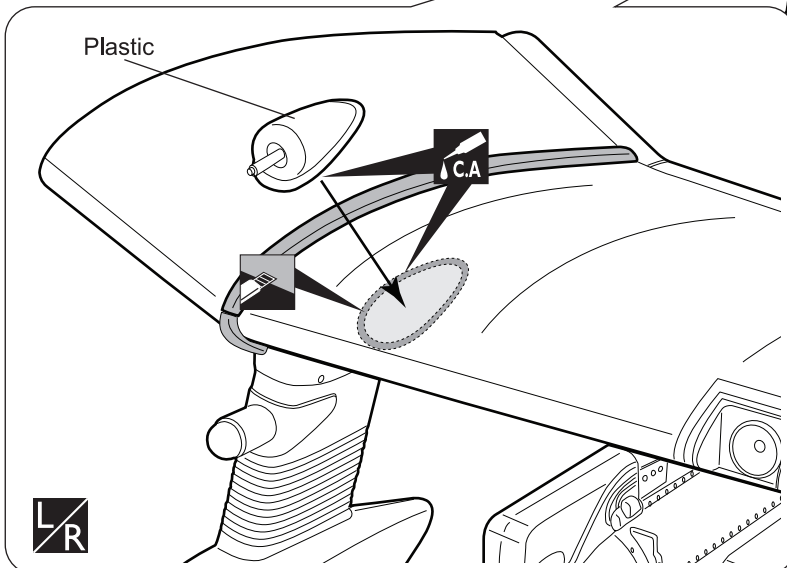
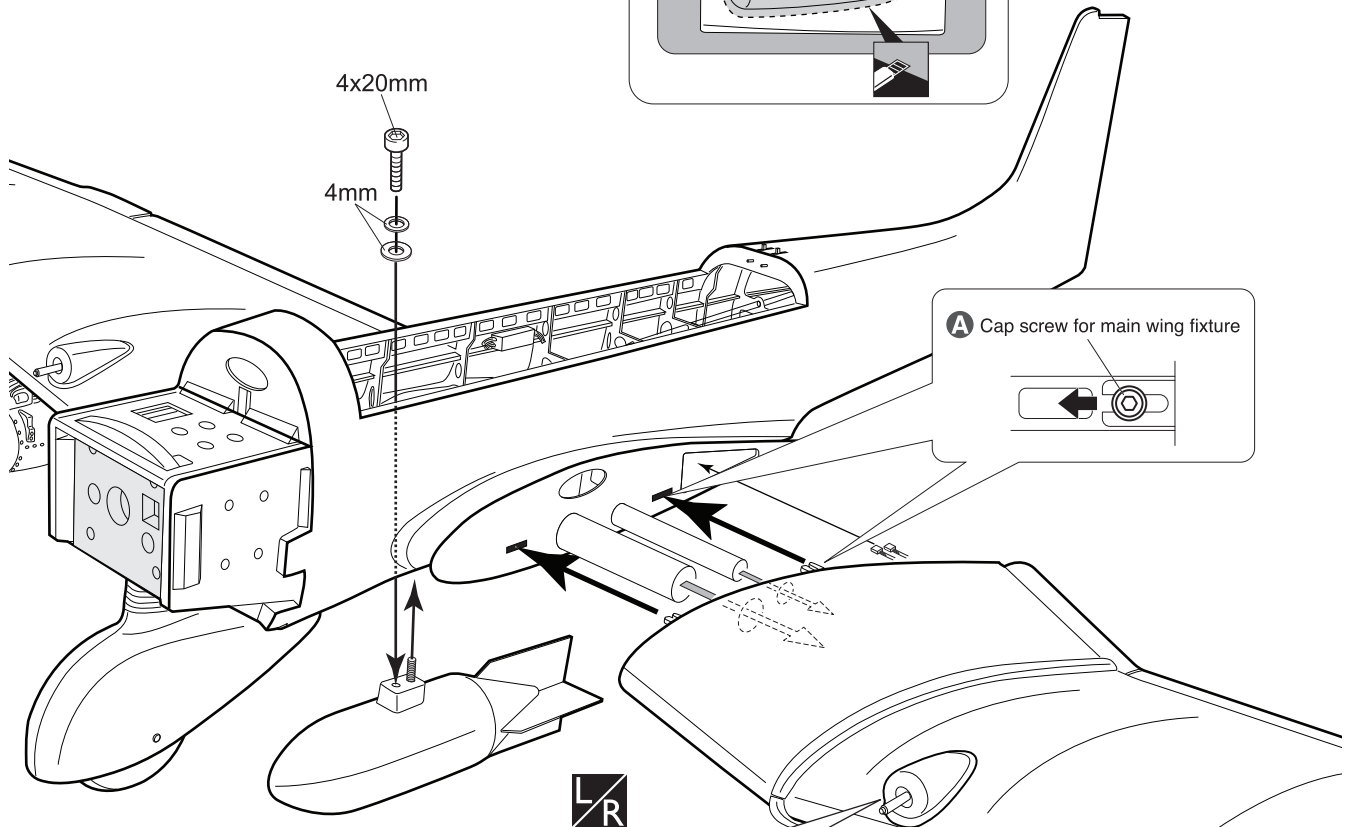


-  Cut off shaded portion
-  Apply instant glue (CA glue, super glue).
-  Assemble left and right sides the same way

**SECURE THE WING TO THE FUSELAGE**

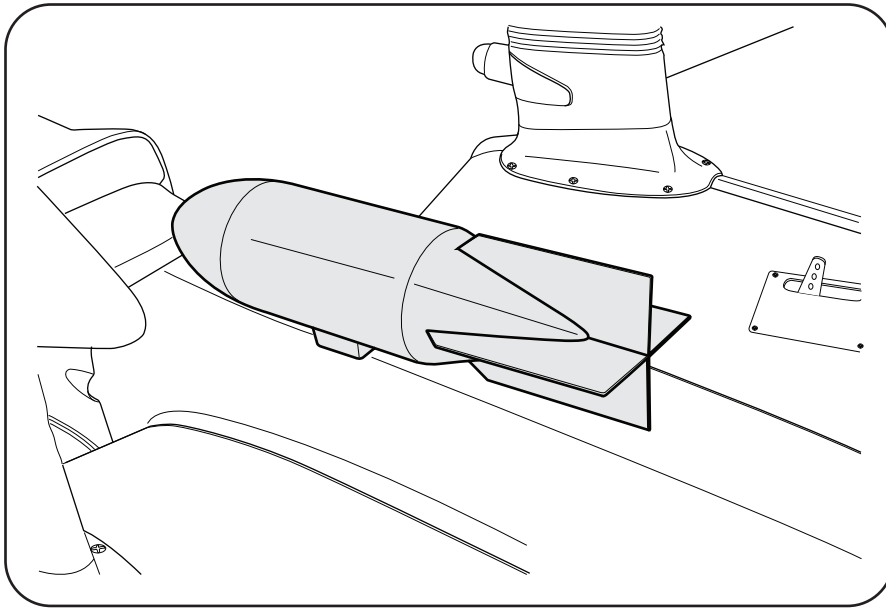


- 4 x 20mm Screw ..... 1
- 4mm Washer ..... 1
- 4mm Spring Washer ..... 1



**A** Main wing must be inserted and attached completely before fixing with screw.

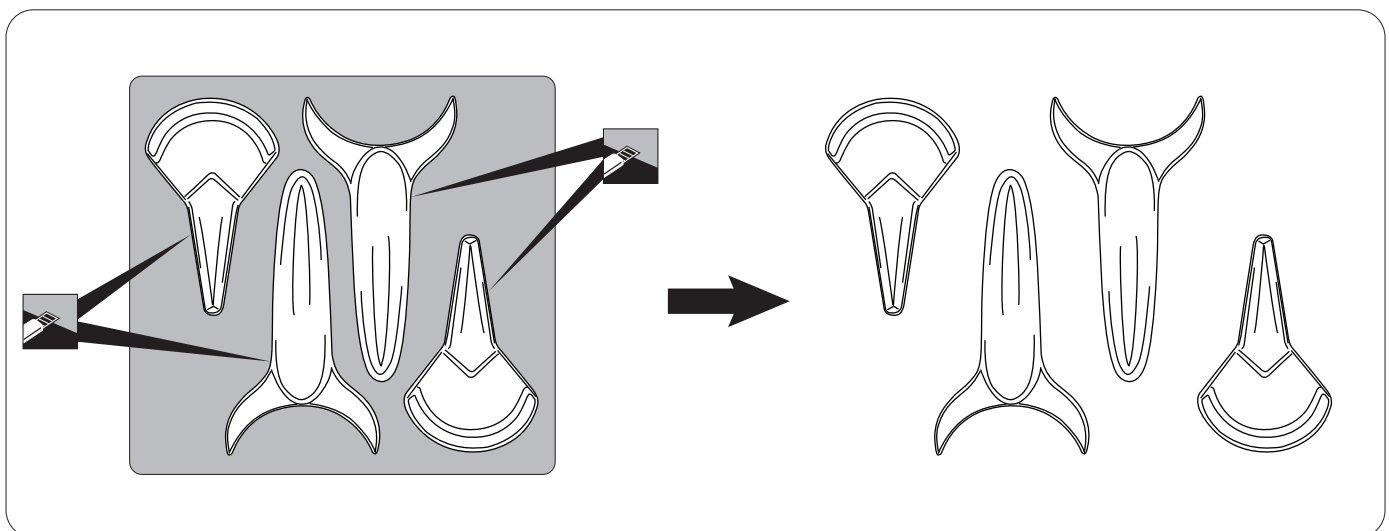
- Apply instant glue (CA glue, super glue).
- Cut off shaded portion
- Assemble left and right sides the same way



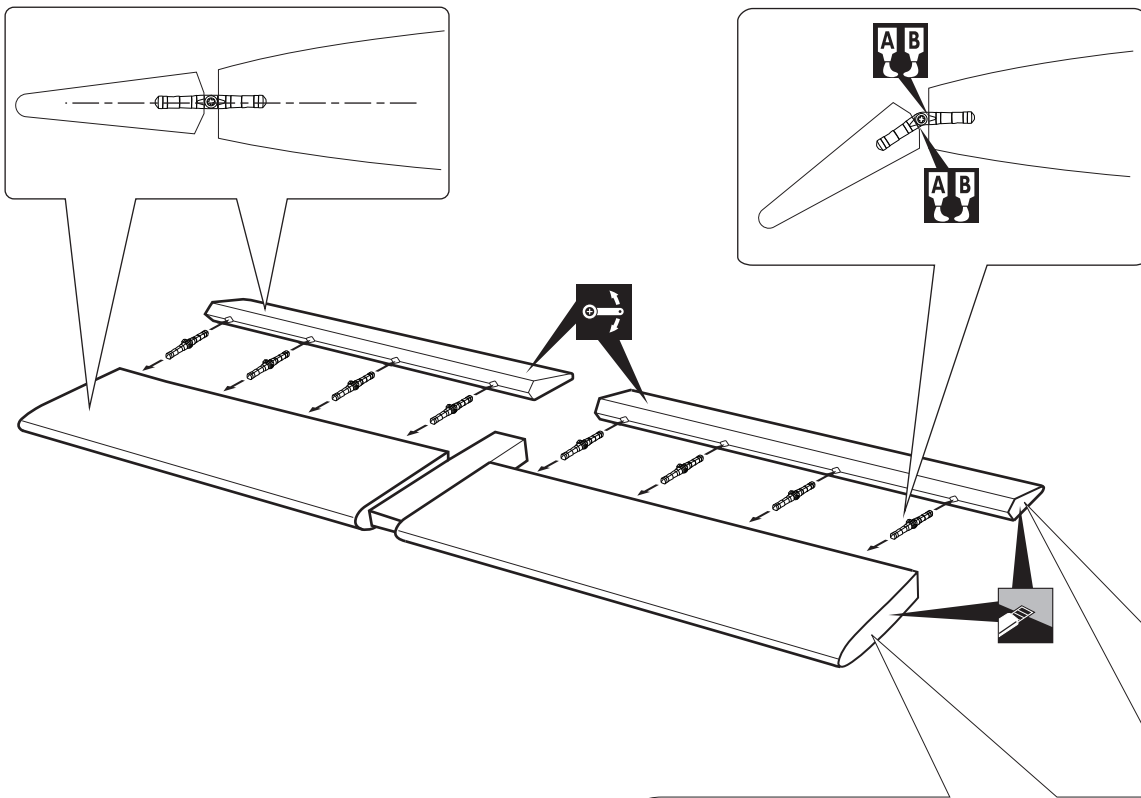
**HORIZONTAL STABILIZER INSTALLATION**

1. Using a modeling knife, cut away the covering from the fuselage for the stabilizer and remove it.
  2. Remove the covering from the stabilizer.
- ⚠ *When cutting through the covering to remove it, cut with only enough pressure to only cut through the covering it's self. Cutting into the balsa structure may weaken it. This could lead to possible failure during flight.*
3. Attach the wing to the fuselage as picture.
  4. Test the position of the elevator and adjust it as shown.

5. When you are sure that everything is aligned correctly, mix up a generous amount of 30 minute epoxy. Apply a thin layer to the bottom and to the top of the stabilizer mounting area and to the stabilizer mounting platform sides in the fuselage. Insert the stabilizer in place and re-align. Double check all of your measurements one more time before the epoxy cures. Remove any excess epoxy using a paper towel and rubbing alcohol and hold the stabilizer in place with T-pins or masking tape.
6. After the epoxy has fully cured, remove the masking tape or T-pins used to hold the stabilizer in place and carefully inspect the glue joints. Use more epoxy to fill in any gaps that were not filled previously and clean up the excess using a paper towel and rubbing alcohol.
7. Repeat step 1 - step 2 from the installing aileron for the installing elevator.

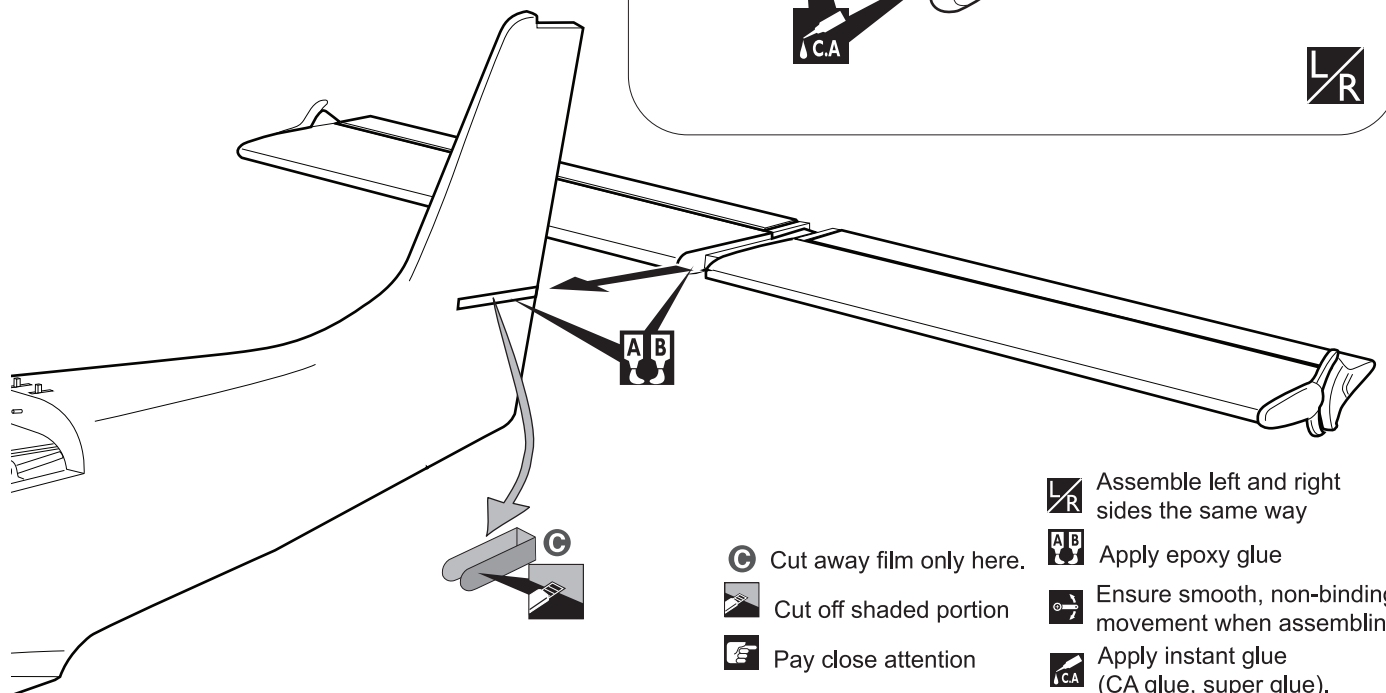
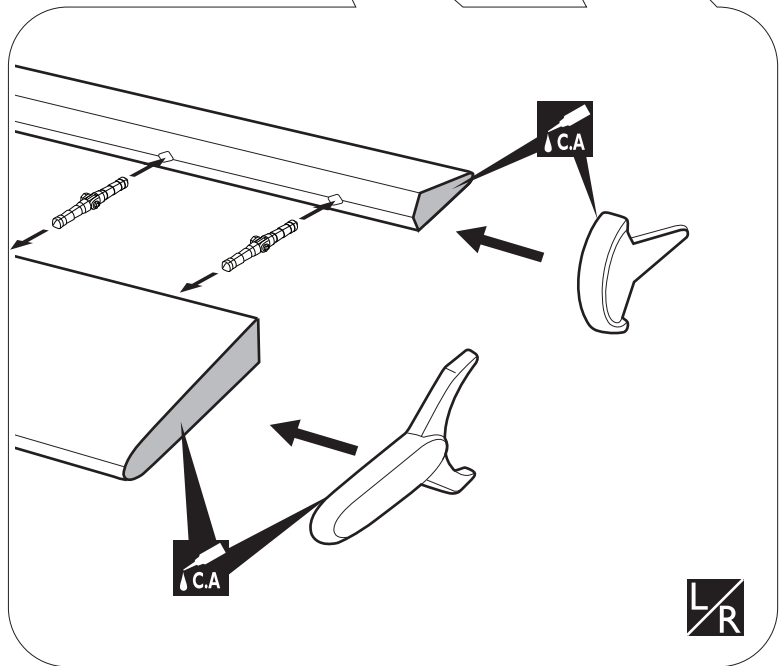


 Cut off shaded portion




Warning!


► Make certain plane is aligned accurately per the diagram. A mis-aligned plane can fly erratically and cause accidents.





**C** Cut away film only here.


 Cut off shaded portion

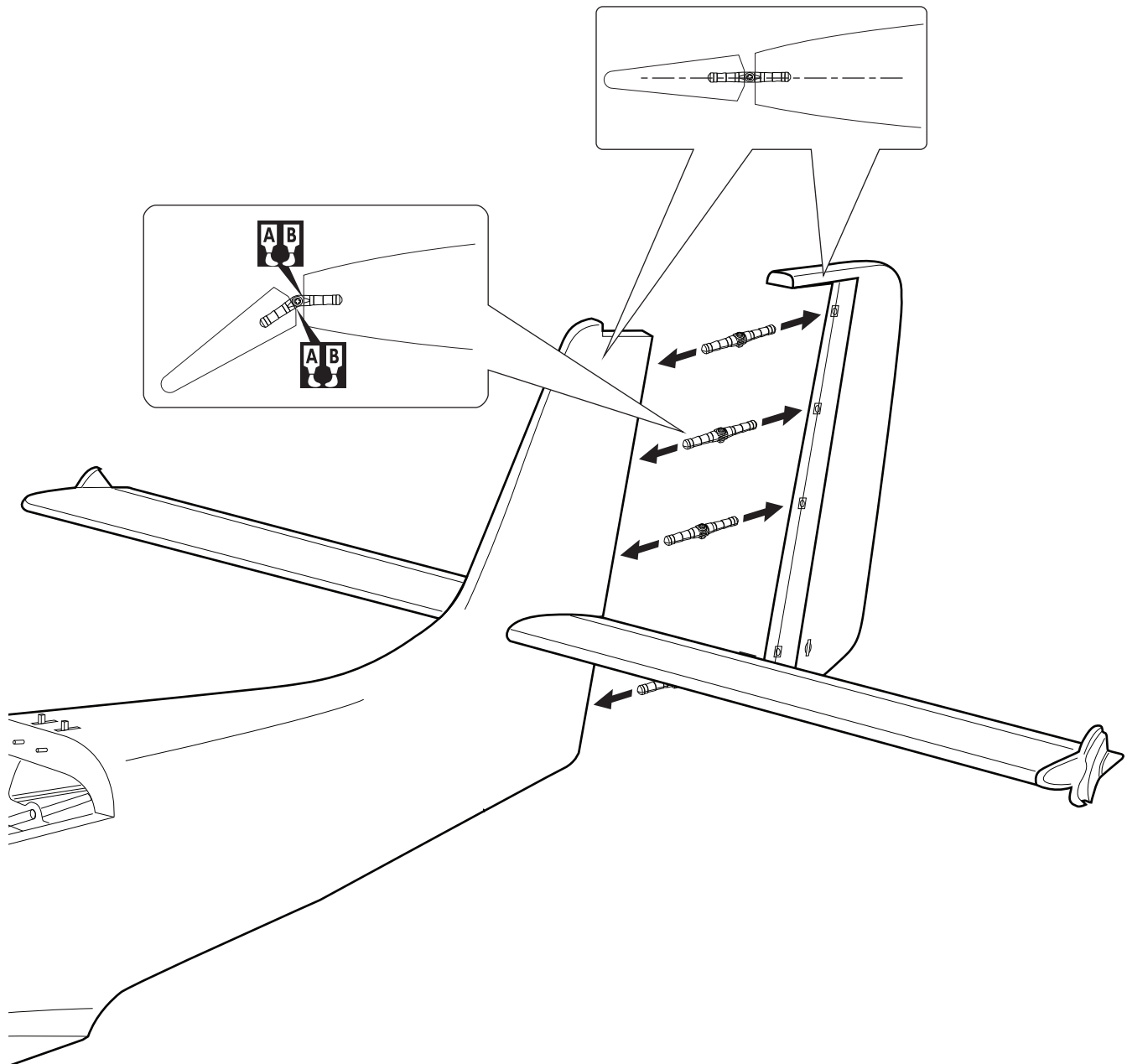
 Pay close attention

 Assemble left and right sides the same way

 Apply epoxy glue

 Ensure smooth, non-binding movement when assembling

 Apply instant glue (CA glue, super glue).

**RUDDER INSTALLATION**

 Apply epoxy glue

**INSTALLING THE RUDDER LINKAGES**

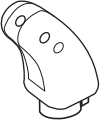
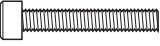







The rudder is controlled by two metal cables. Install the rudder linkages and cables as below.

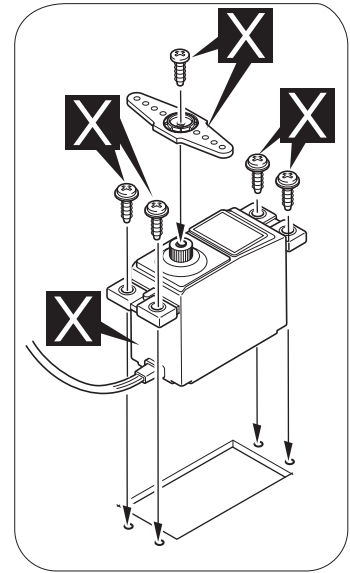
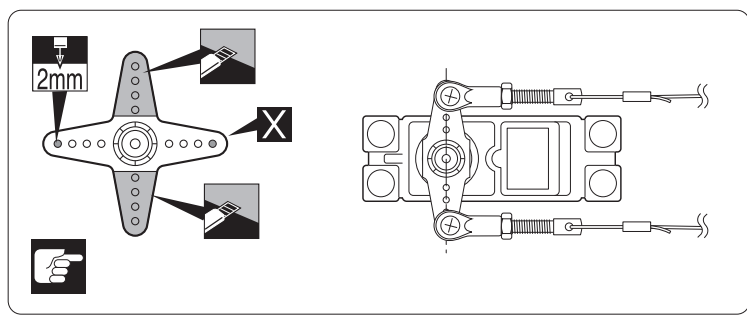
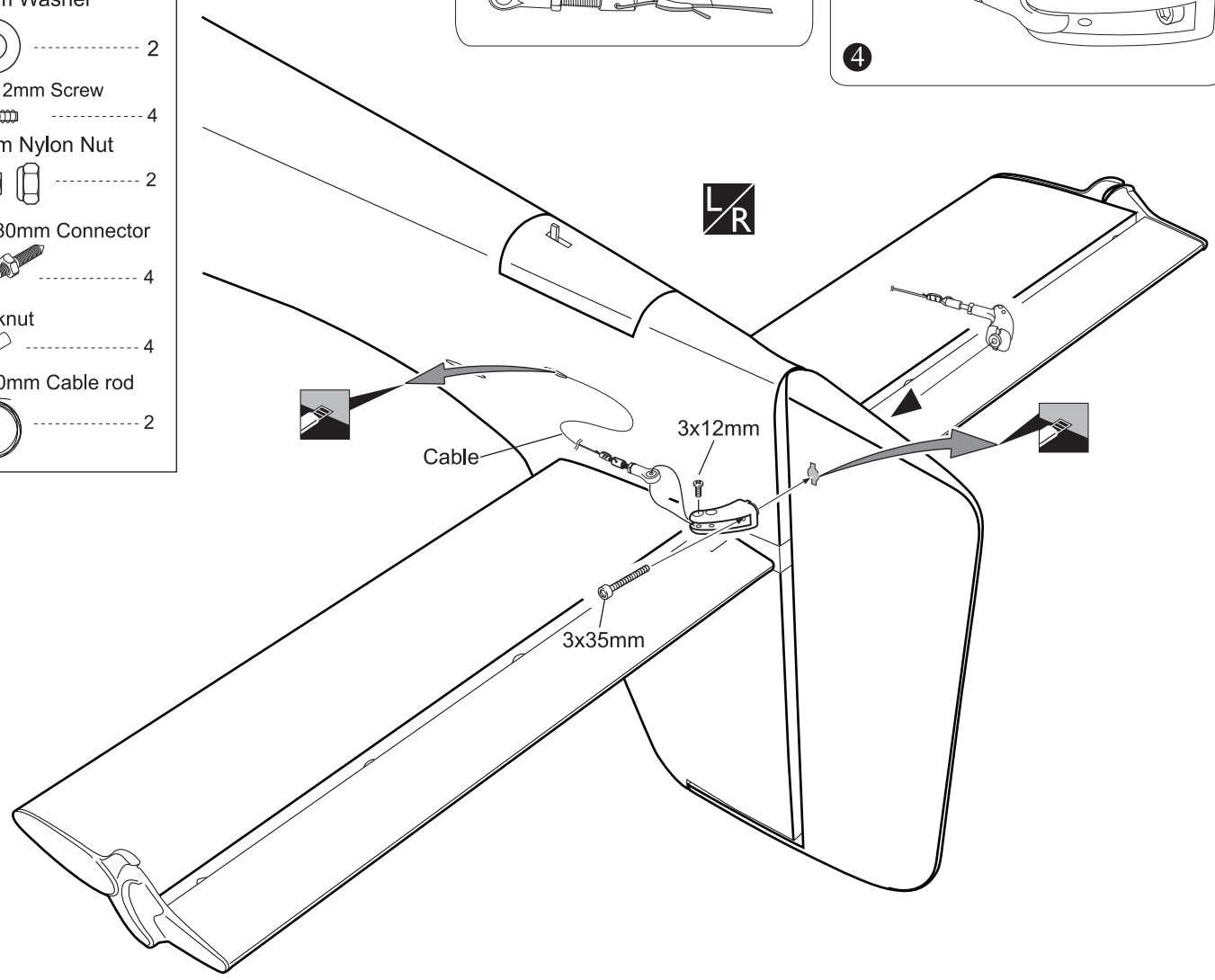
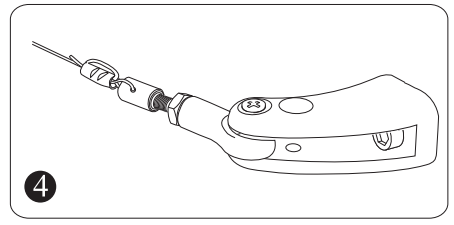
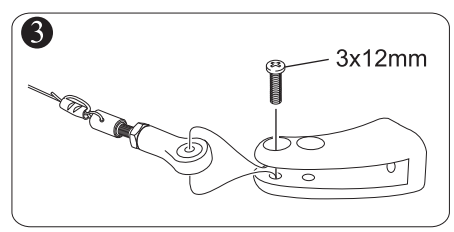
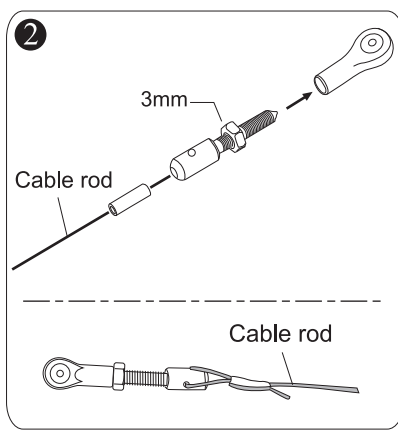
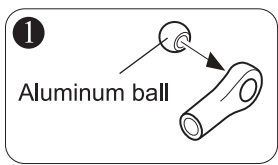
1. Use a hobby knife to remove the covering from the openings for the rudder control cables.
2. The rudder has a block wood plate for mounting the control horn. Two control horns are positioned on both sides of the rudder (left and right).
3. Install the control horn to the rudder.
4. Slide a crimp onto the cable, then pass the cable through the threaded cable end. Pass the cable back into the crimp and use crimping pliers to secure the crimp to the cable. Guide the cable into the fuselage to the position for the rudder servo.




5. Thread the metal connector to the link ball.
6. Center the rudder servo using the radio and install the servo arm. Attach the metal clevis to the rudder servo arm.
7. Make the same way to install the cable to the rudder servo arm.




**Note:** Remember use thread locking compound to secure.

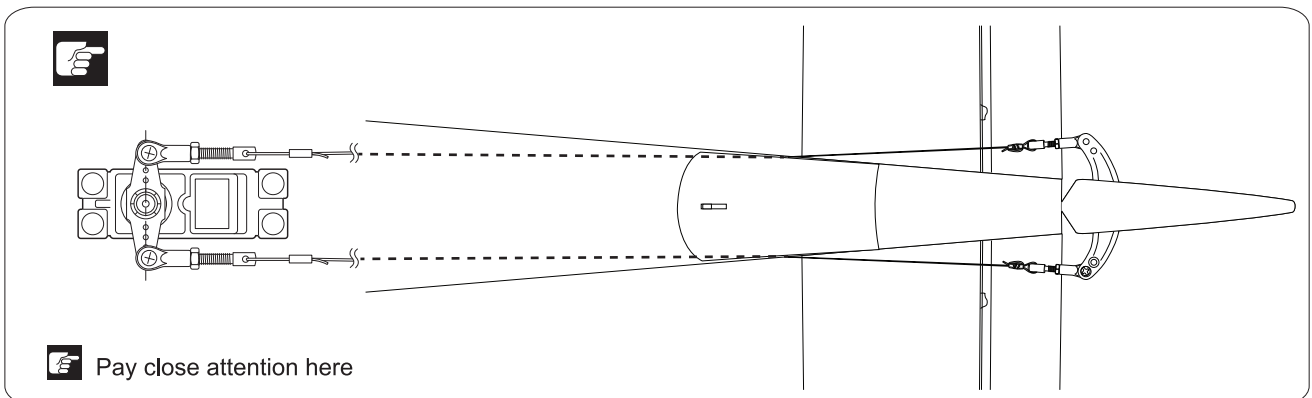
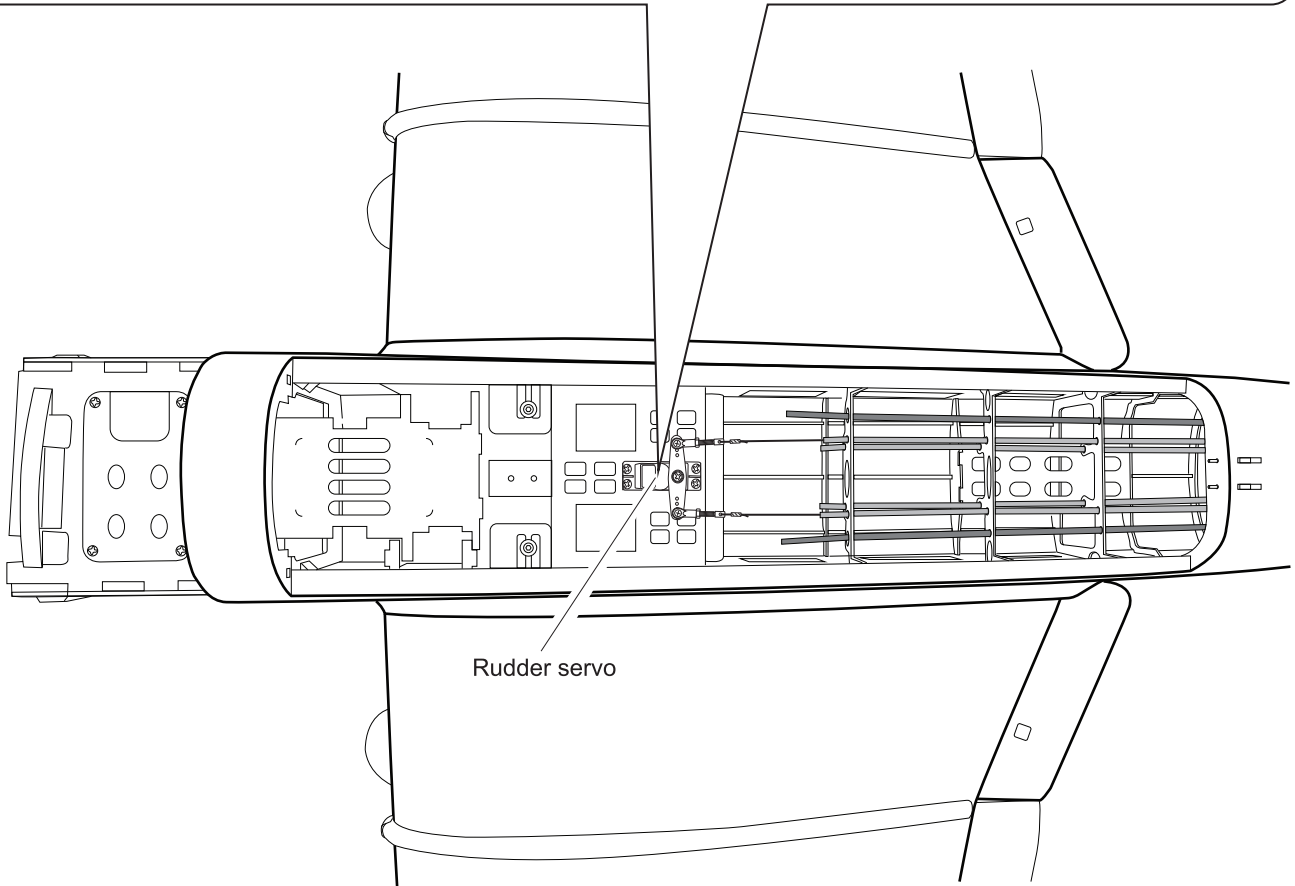
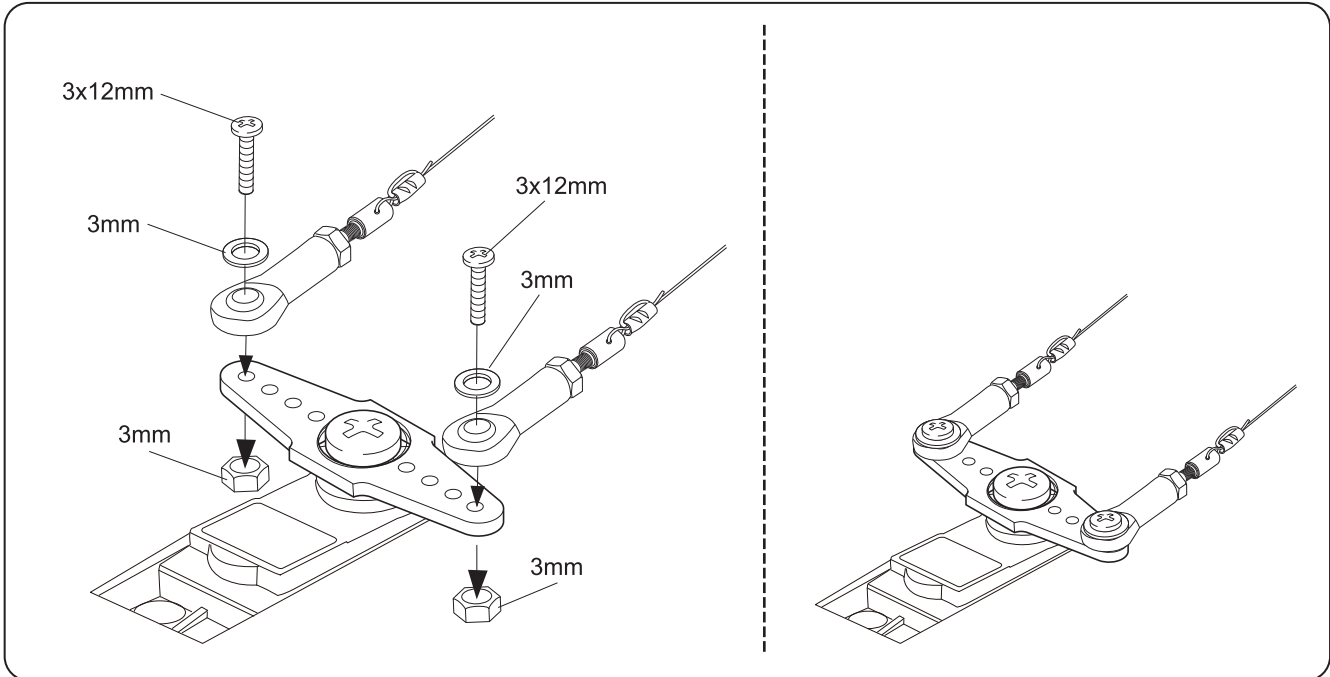
-  ..... 2
- 3 x 35mm Cap Screw  ..... 1
- Aluminum ball  ..... 4
-  ..... 4
- 3mm Washer  ..... 2
- 3 x 12mm Screw  ..... 4
- 3mm Nylon Nut  ..... 2
- 3 x 30mm Connector  ..... 4
- Locknut  ..... 4
- 1300mm Cable rod  ..... 2



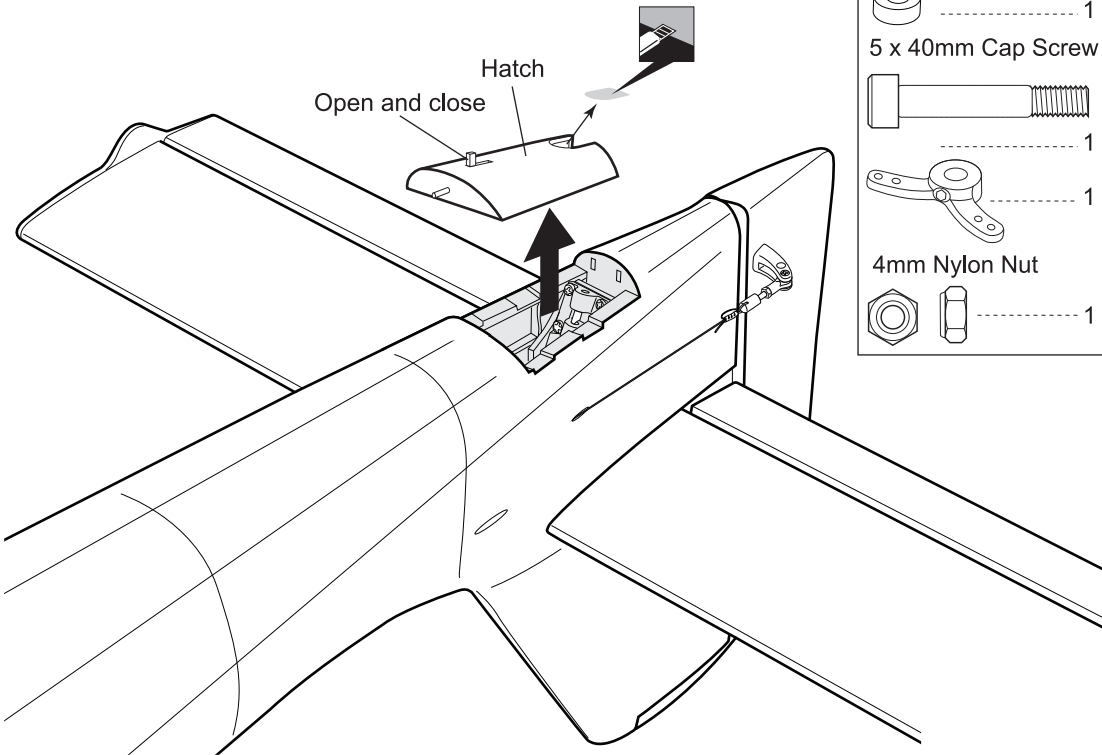
-  Must be purchased separately!
-  Cut off shaded portion
-  Pay close attention here

 Assemble left and right sides the same way



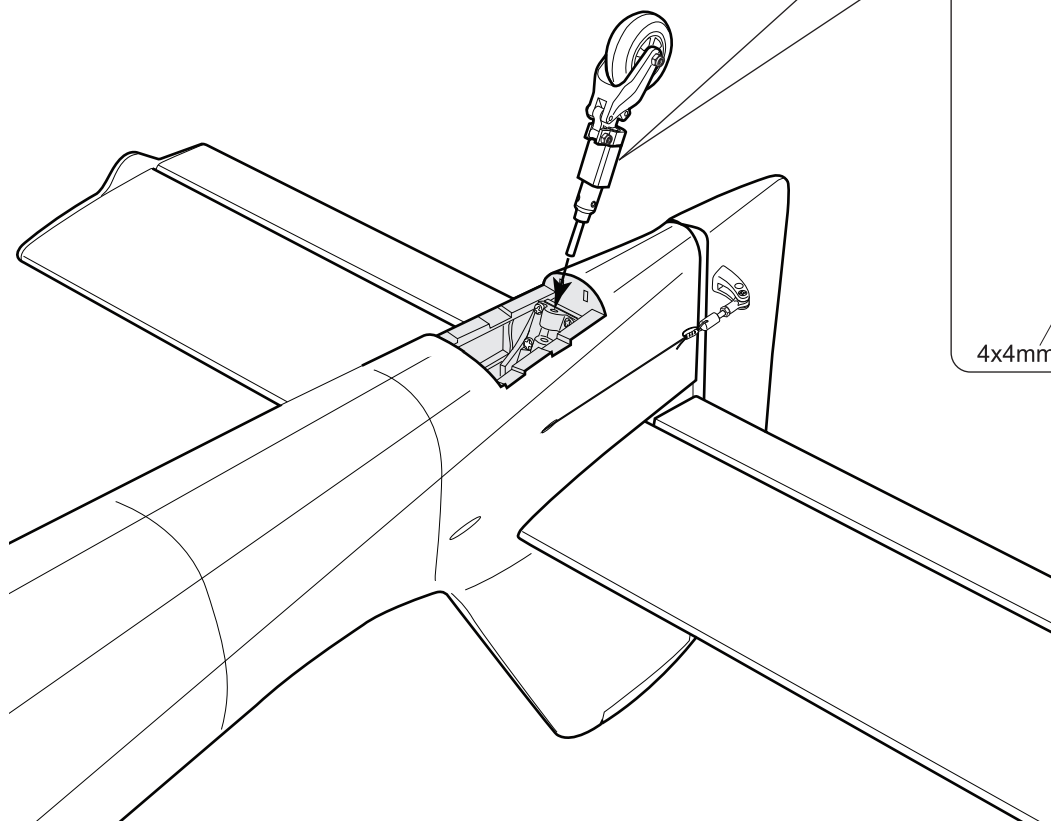
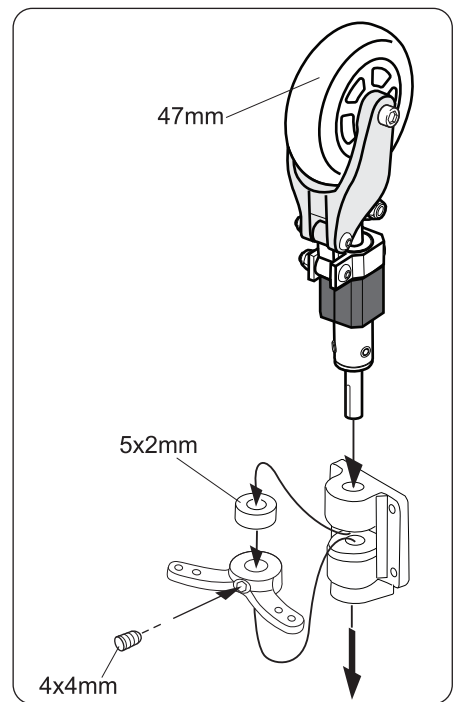
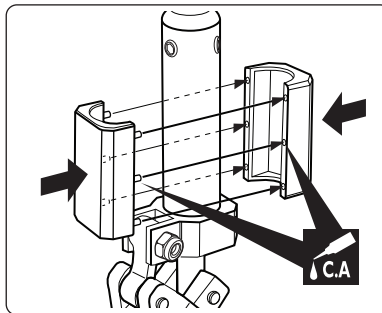
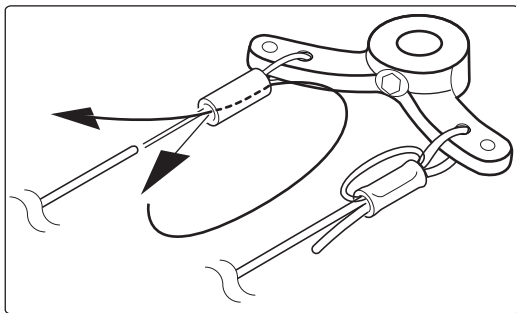


**INSTALLING THE TAIL WHEEL**

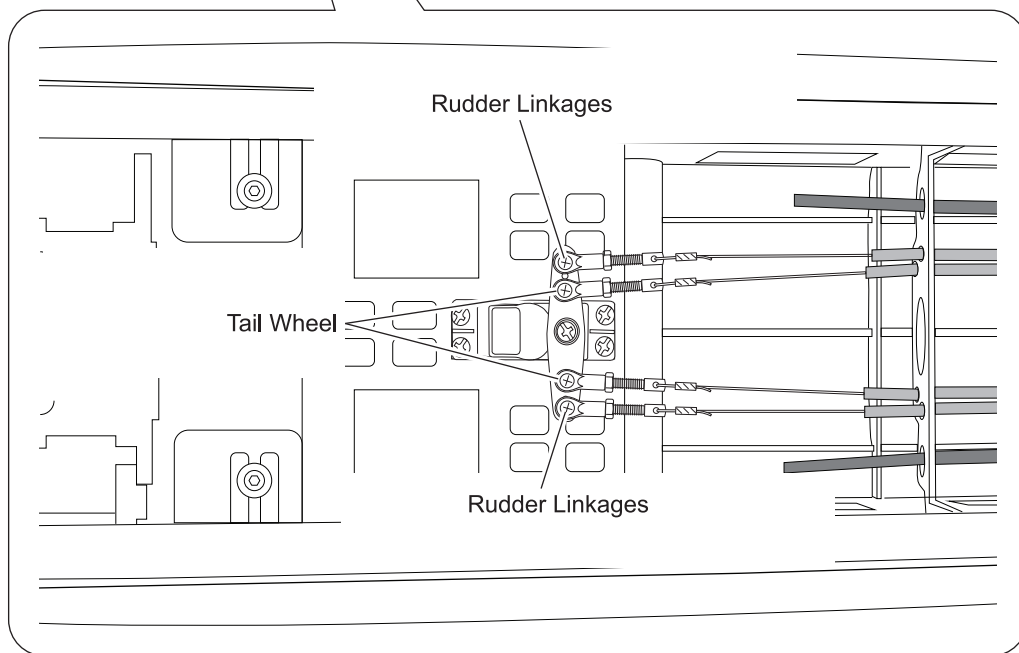
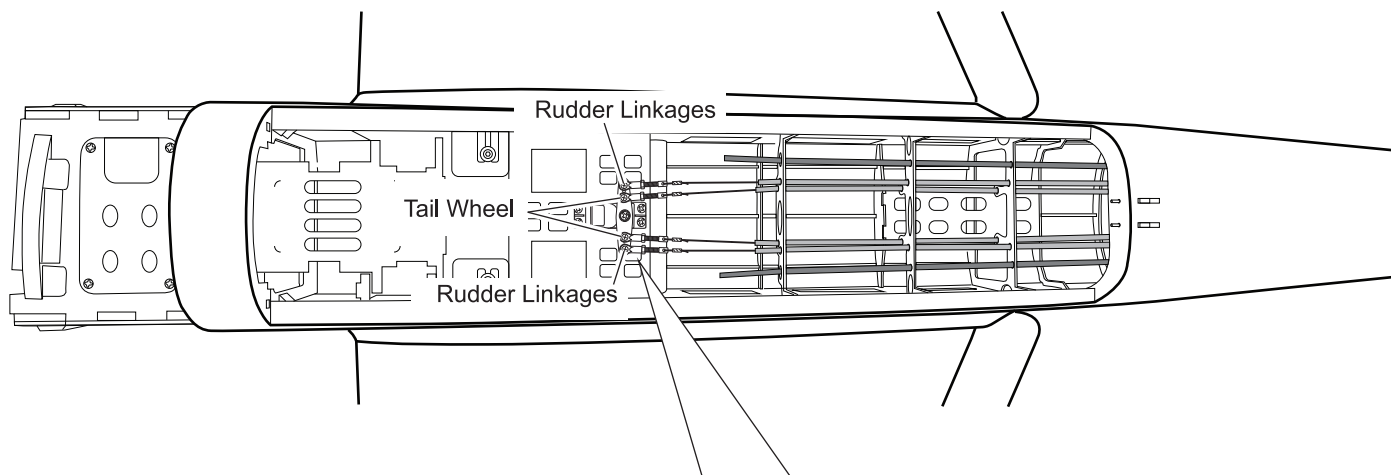
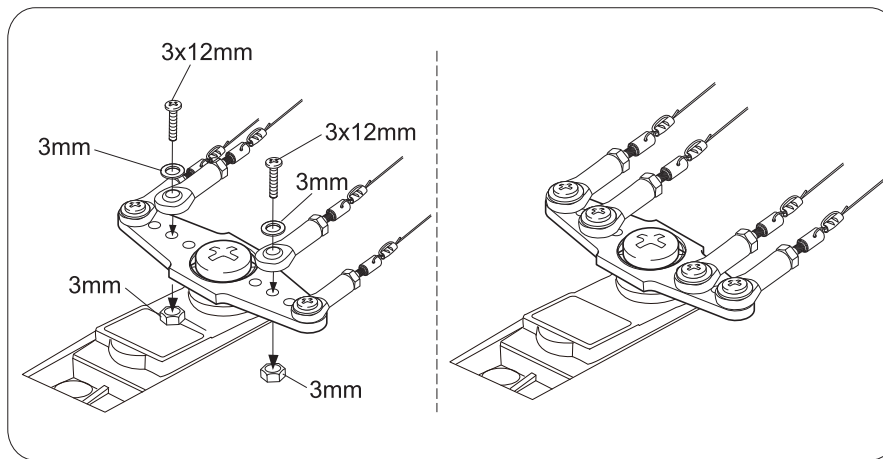
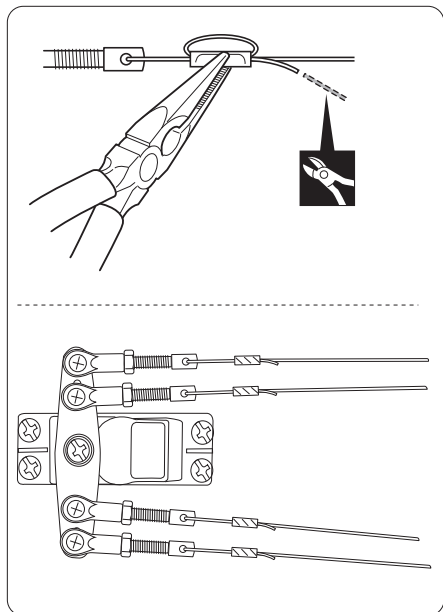
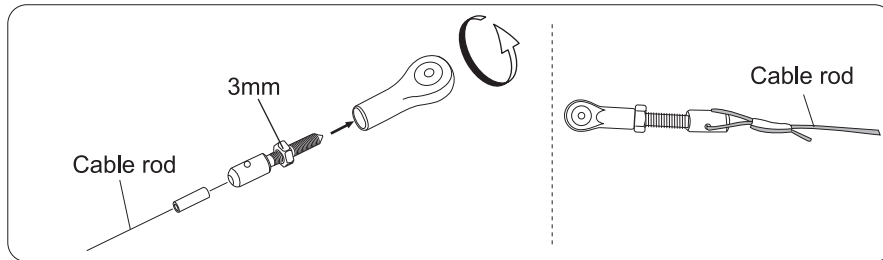
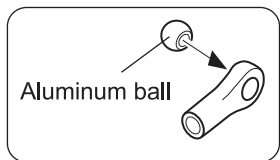


- 5 x 2mm Washer ..... 1
- 5 x 40mm Cap Screw ..... 1
- 4mm Nylon Nut ..... 1

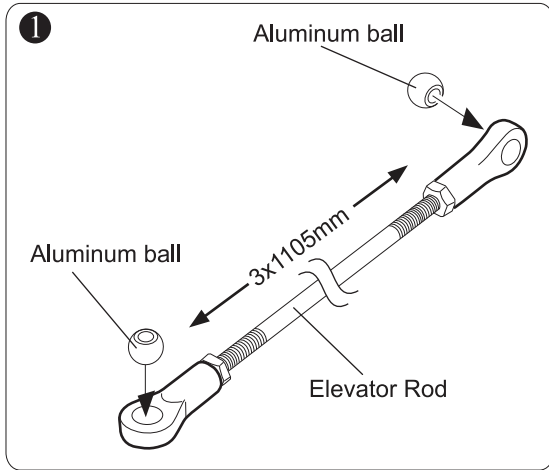
- Aluminum ball ..... 2
- 3mm Washer ..... 2
- 3 x 12mm Screw ..... 2
- 3mm Nylon Nut ..... 2
- 3 x 30mm Connector ..... 2
- Locknut ..... 4
- 1300mm Cable rod ..... 2



- Apply instant glue (CA glue, super glue).
- Cut off shaded portion

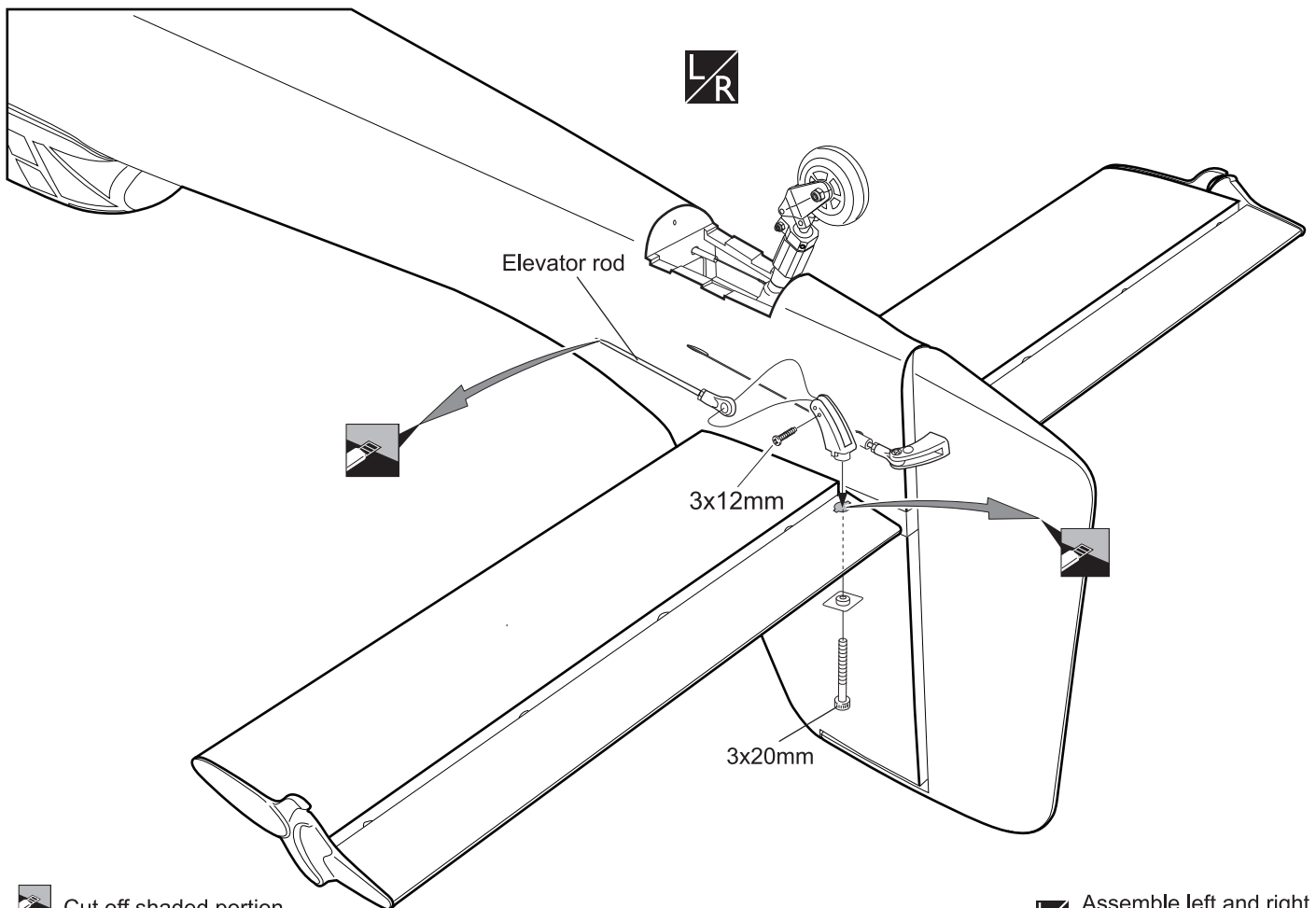
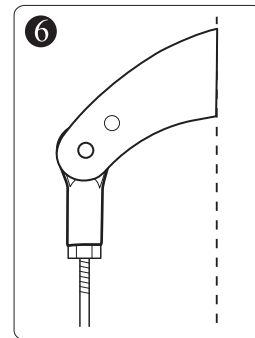
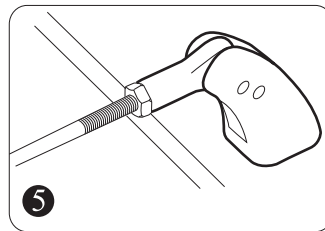
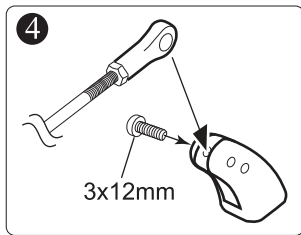
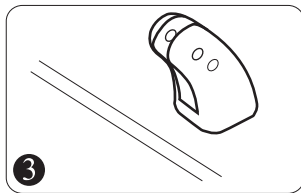
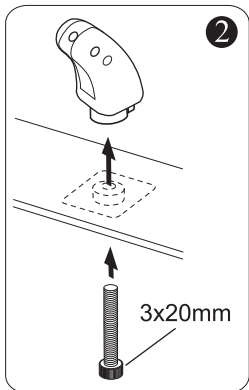


**INSTALLING THE ELEVATOR PUSHROD**



Aluminum ball	
	2
	2
3mm Washer	
	2
3 x 12mm Screw	
	2
3mm Nylon Nut	
	2
3 x 1105mm Push rod	
	2

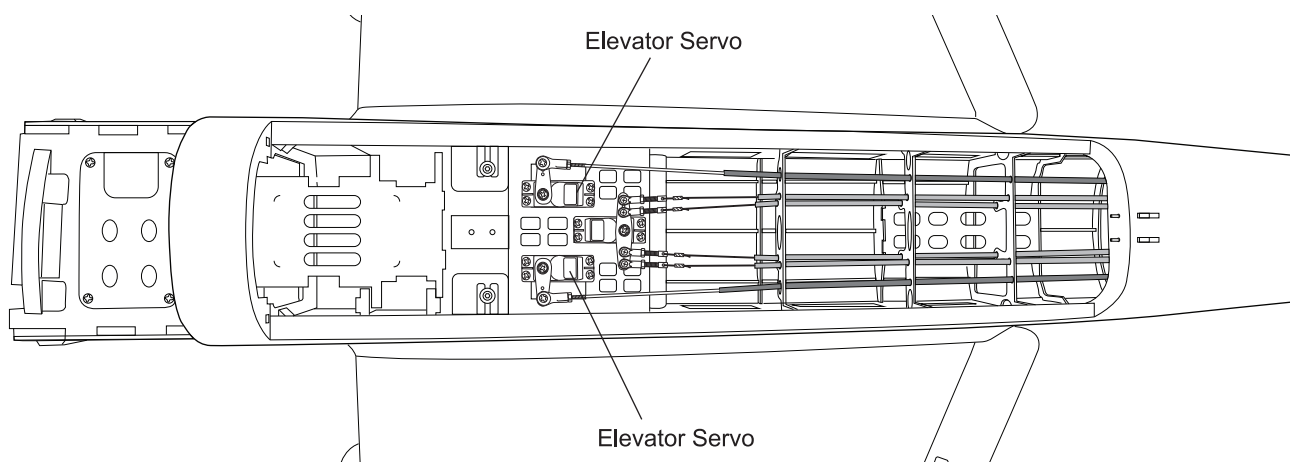
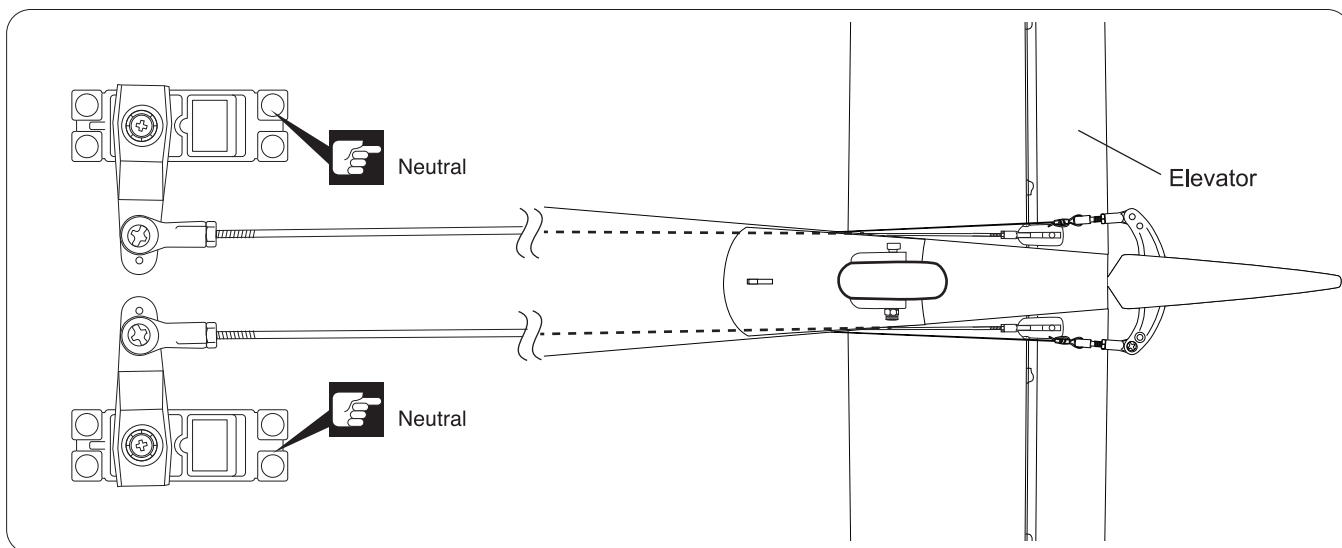
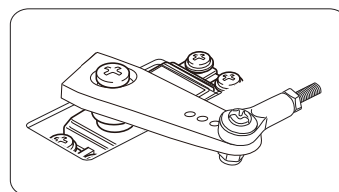
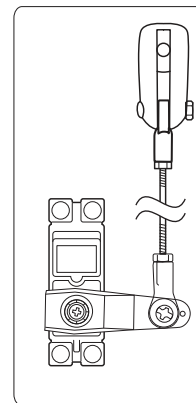
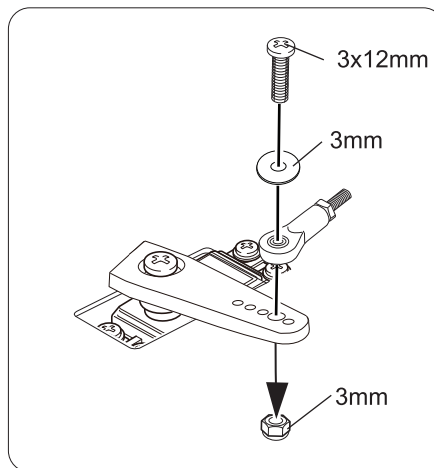
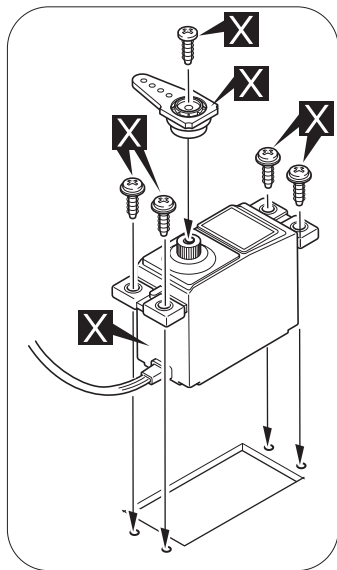
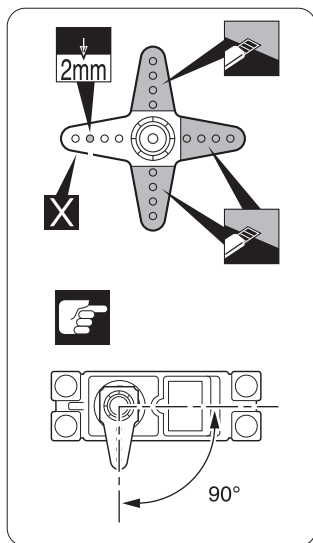
	2
	2
3 x 20mm Cap Screw	
	2
Aluminum ball	
	2
	2
3 x 12mm Screw	
	2



Cut off shaded portion

Assemble left and right sides the same way

**INSTALLING THE ELEVATOR SERVO**

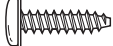






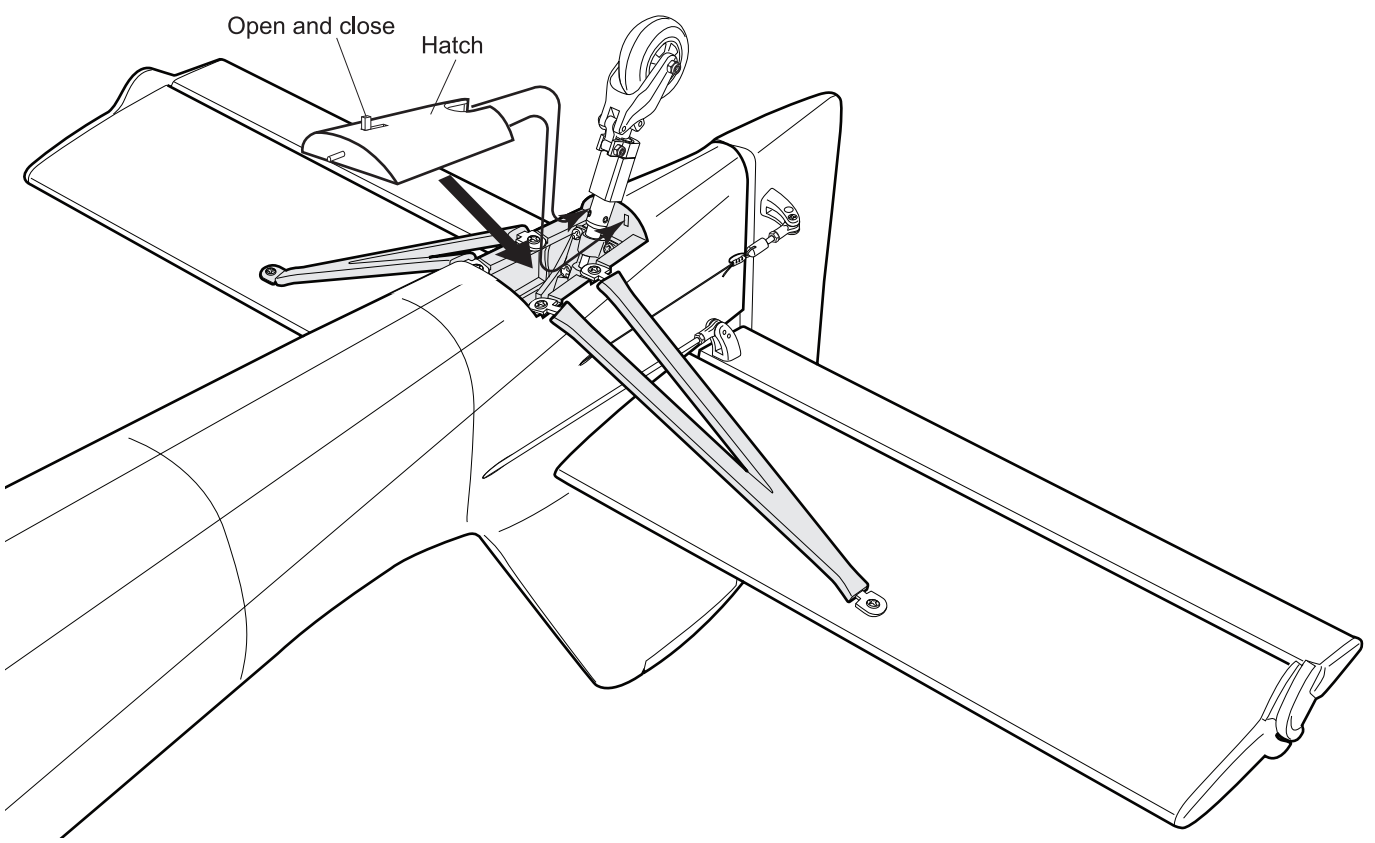
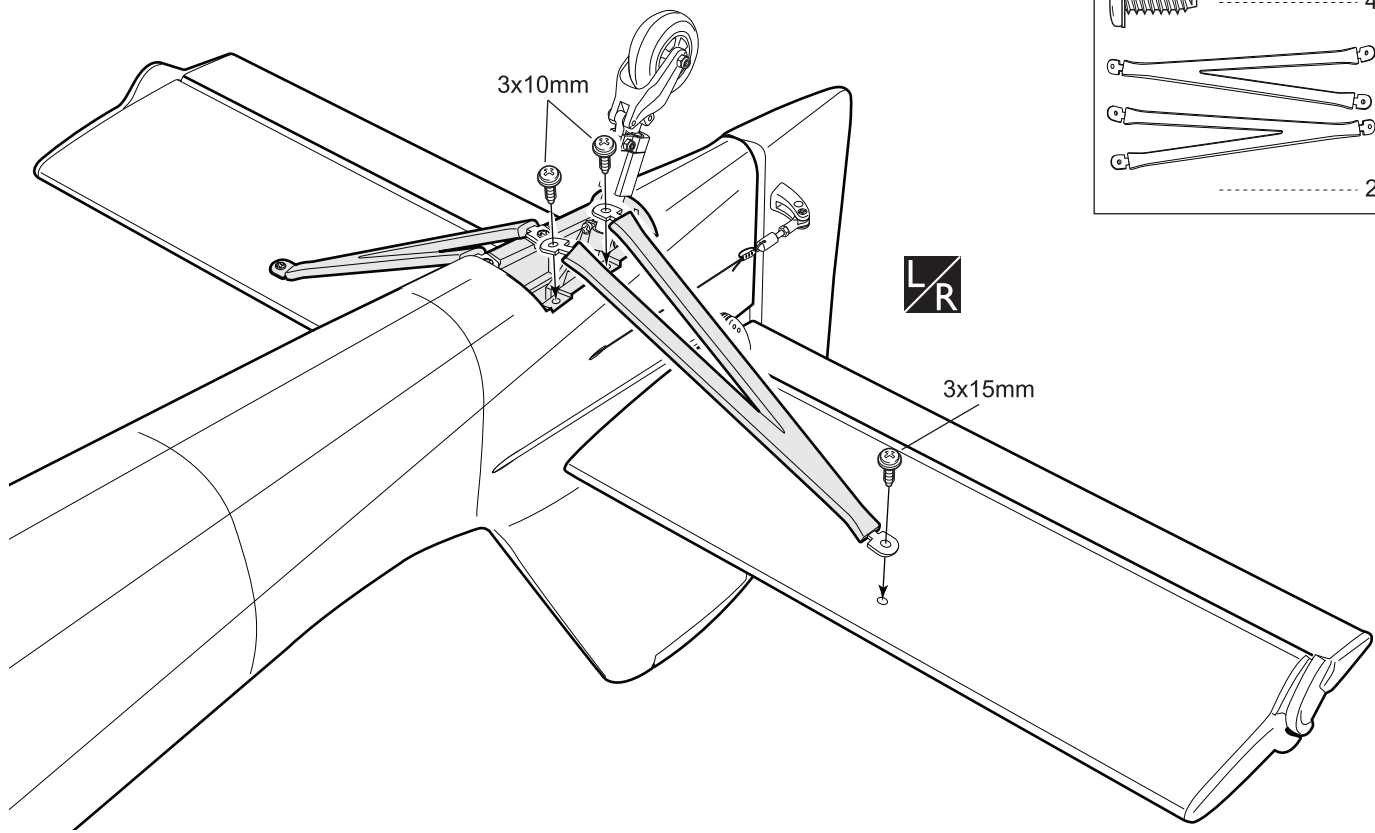
Cut off shaded portion


Must be purchased separately!

Pay close attention here

**INSTALLING THE HORIZONTAL STAB STRUT**

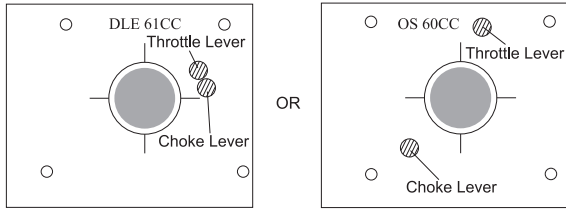
- 3 x 15mm TP Screw ..... 2
-  .....
- 3 x 10mm TP Screw ..... 4
-  .....
-  .....
-  .....
-  .....
- ..... 2



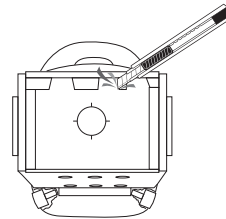
 Assemble left and right sides the same way

**INSTALLING THE ENGINE**

Using plate of plywood (supplied with the kit) mark the holes onto the fire wall for installing the engine mount for DLE-61CC or OS-GT60.



May be you also need to trim some wood from the tri-angle wood for the installation is easy.



**DLE-61CC**

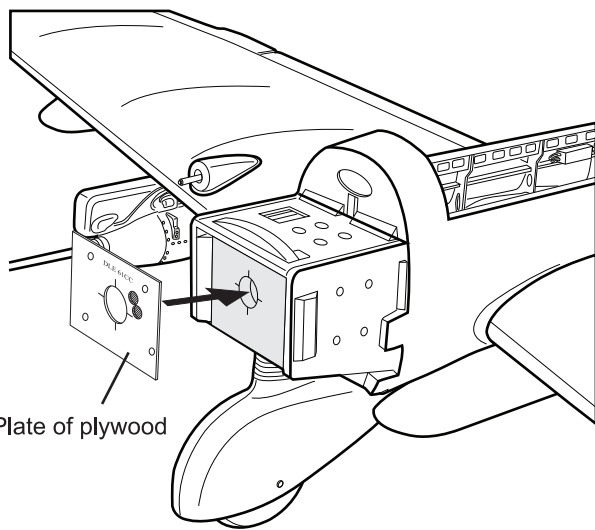
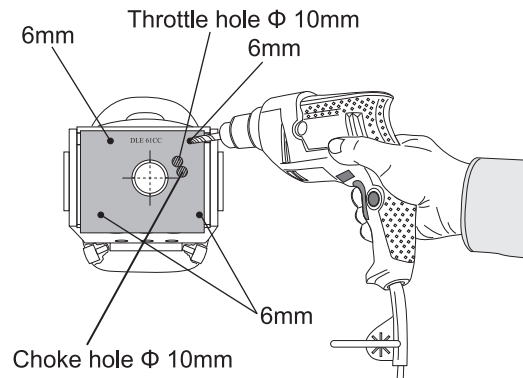
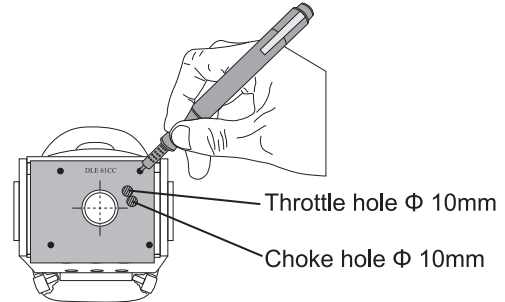


Plate of plywood



**OS-GT60**

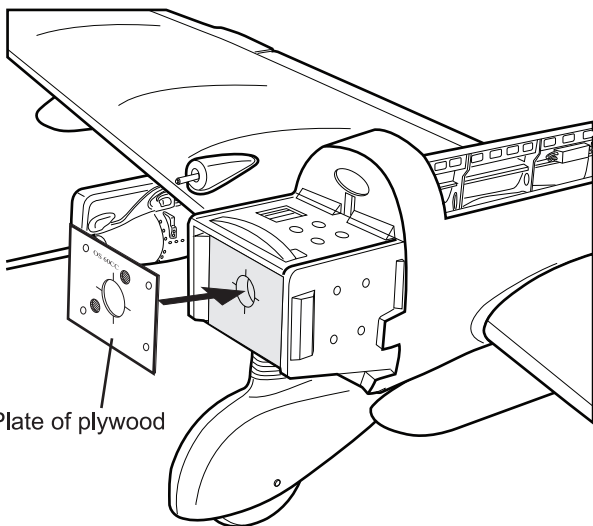
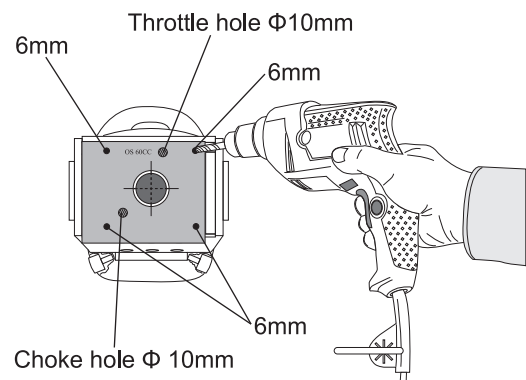
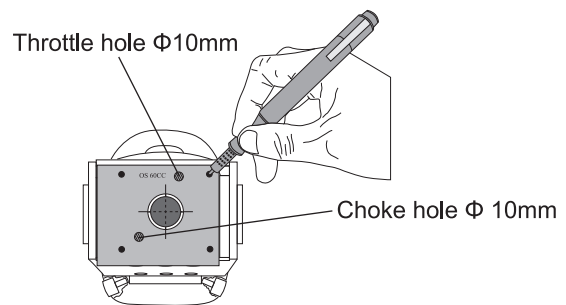


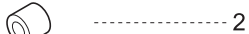
Plate of plywood



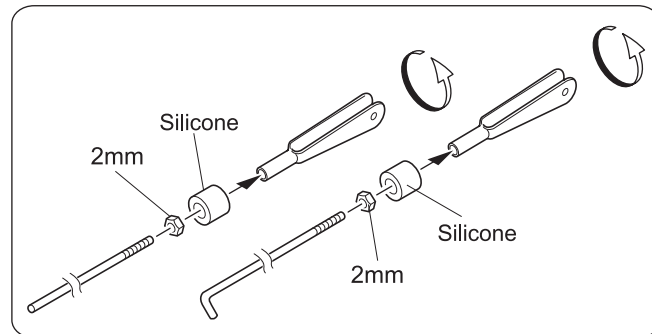
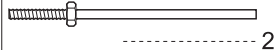
Metal kwik link (M2)



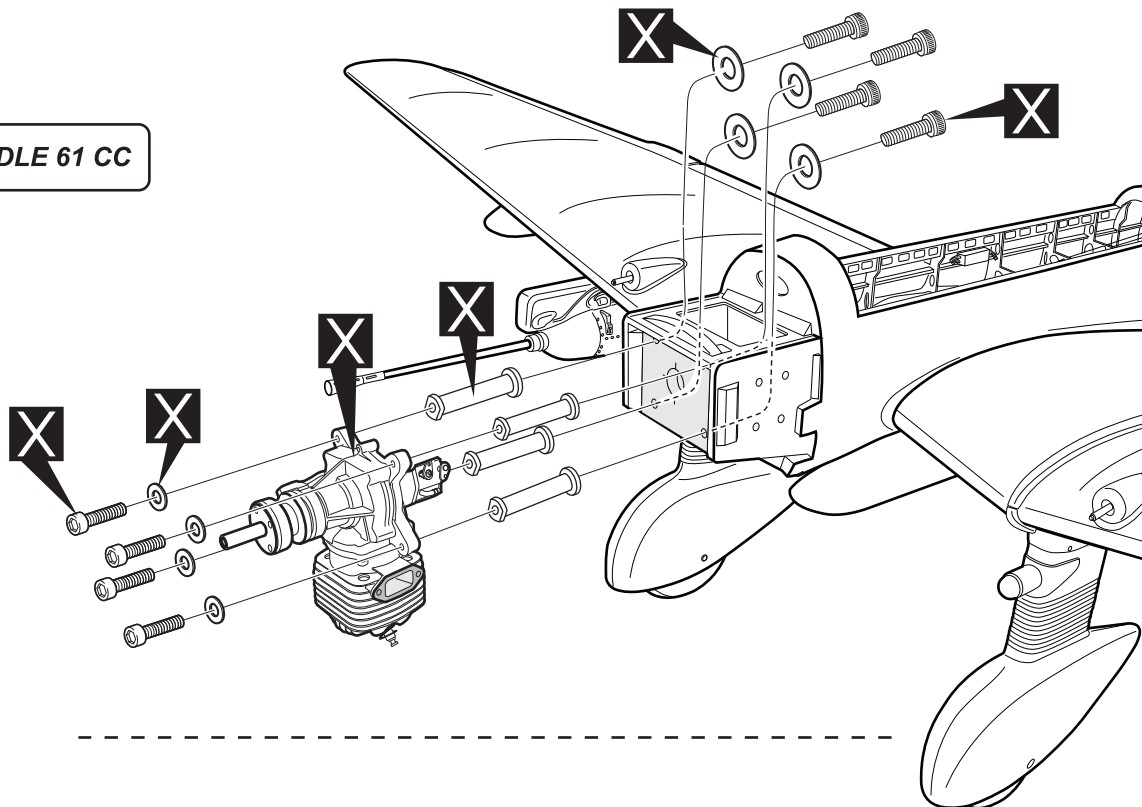
Silicone



1.7 x 400mm Push rod

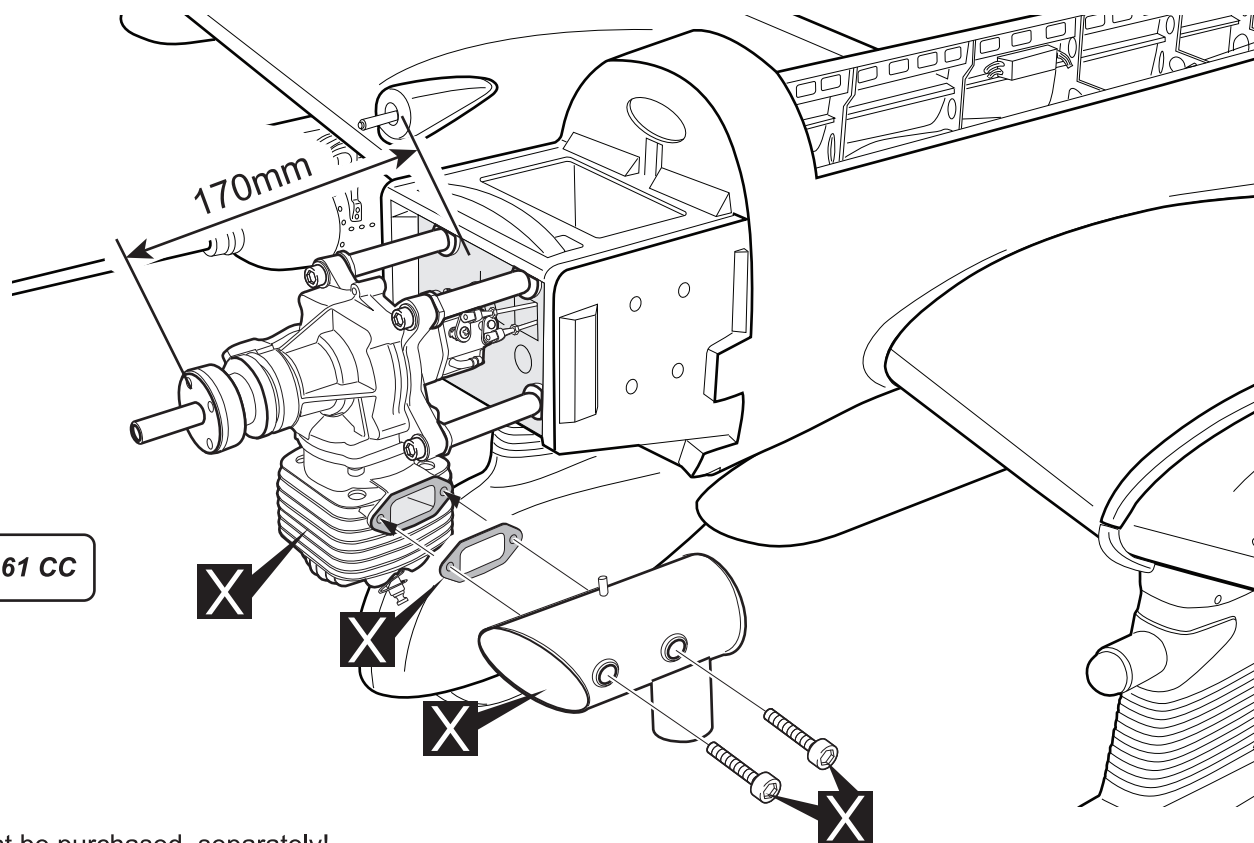


DLE 61 CC



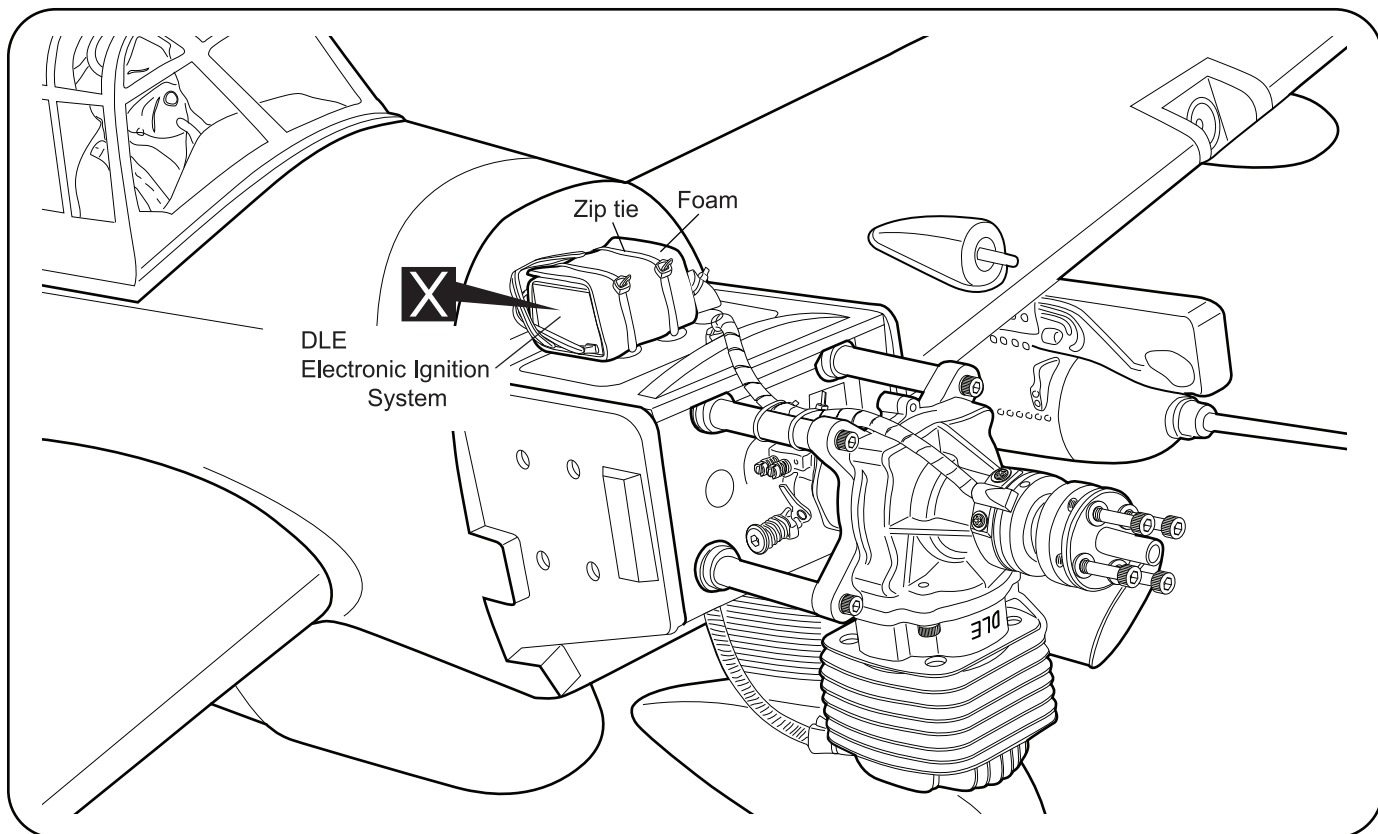
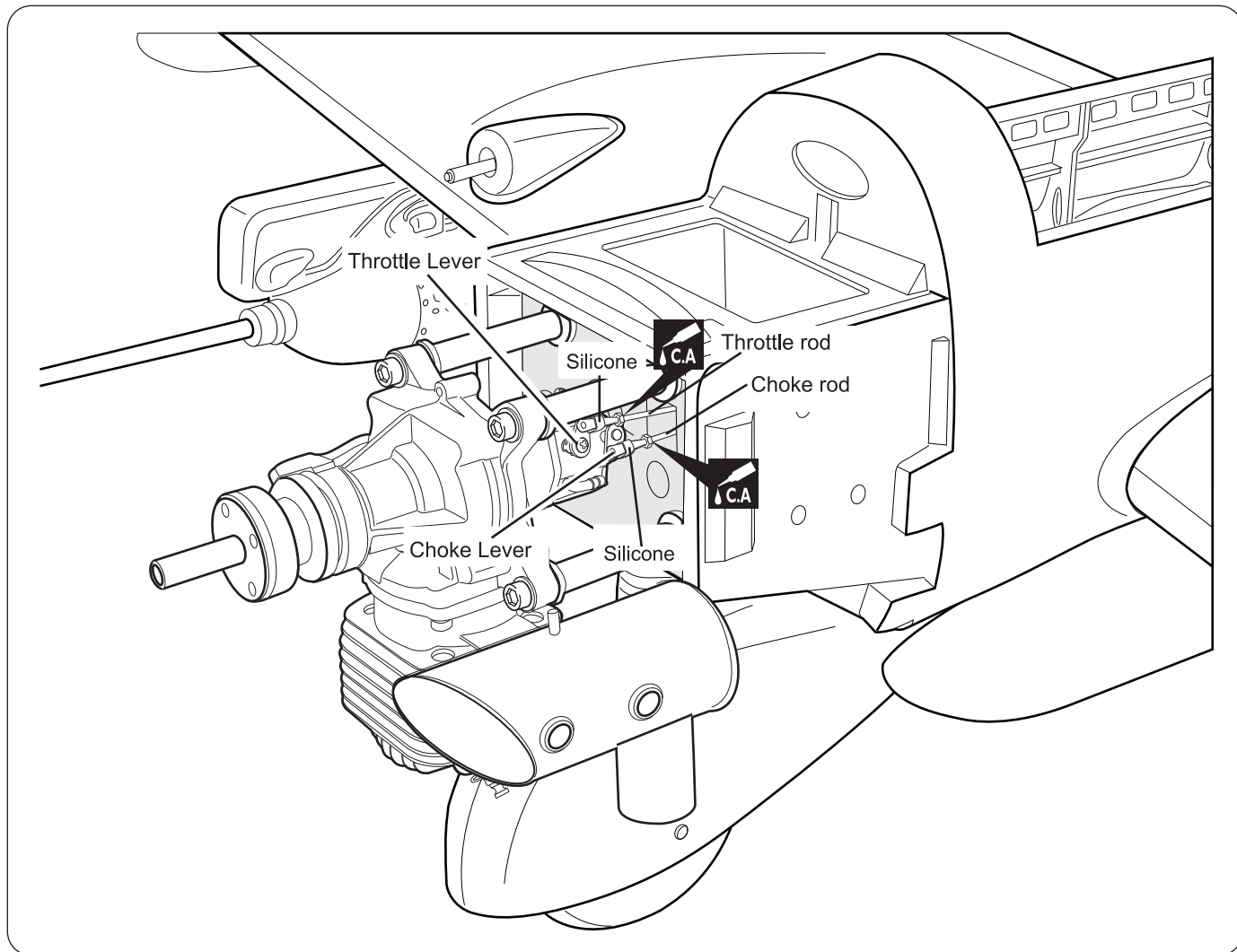
170mm


DLE 61 CC




X Must be purchased separately!

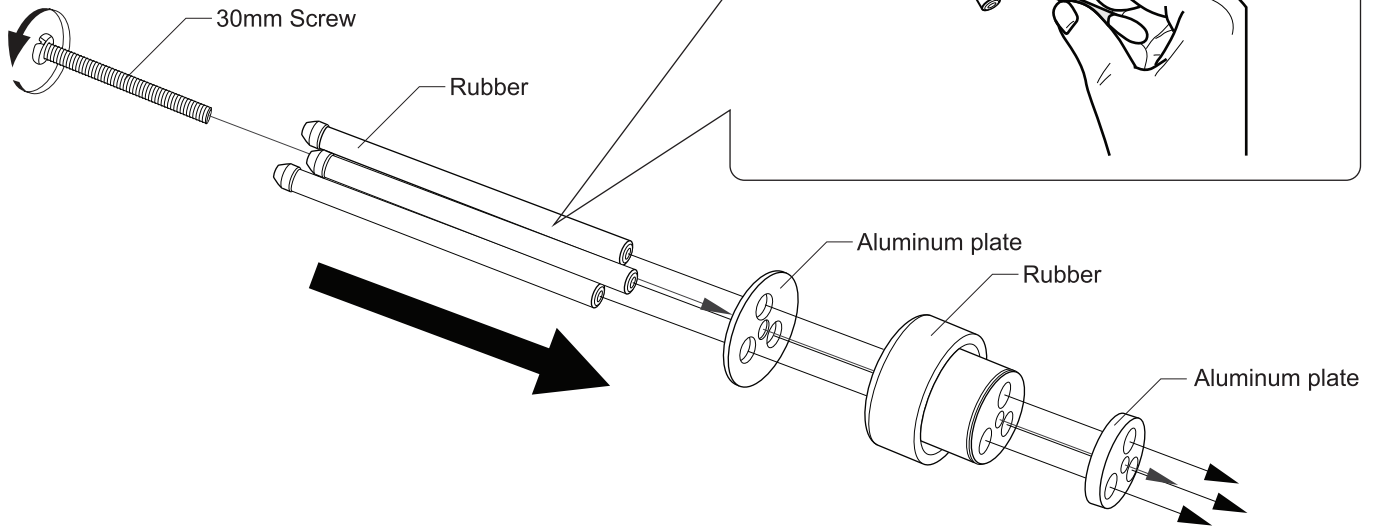




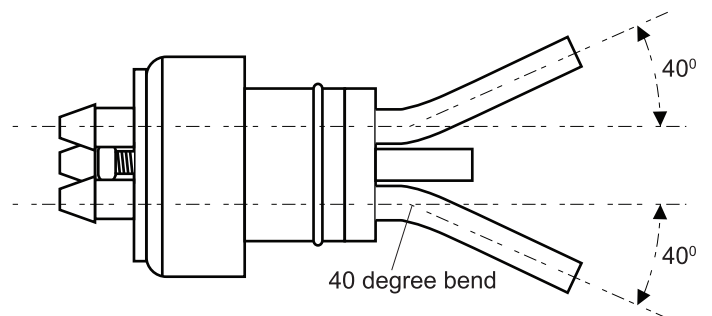
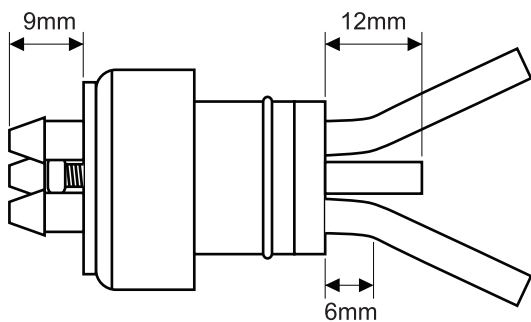
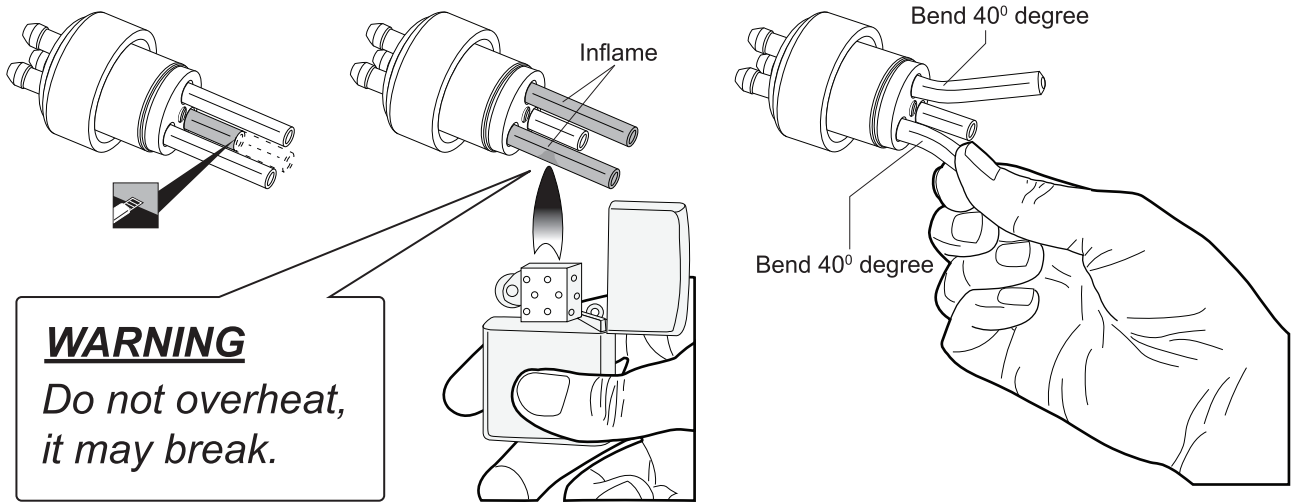
 Apply instant glue (CA glue, super glue).

 Must be purchased separately!

**INSTALLING THE STOPPER**



**!** **WARNING**  
Do not overheat,  
it may break.



Cut off shaded portion

**INSTALLING THE FUEL TANK**

1. Using a modeling knife, cut one length of silicon fuel line (the length of silicon fuel line is calculated by how the weighted clunk should rest about 5mm away from the rear of the tank and move freely inside the tank). Connect one end of the line to the weighted clunk and the other end to the nylon pick up tube in the stopper.
2. Carefully bend the second nylon tube up at a 45 degree angle (using a cigarette lighter). This tube will be the vent tube to the muffler.
3. Carefully bend the third nylon tube down at a 45 degree angle (using a cigarette lighter). This tube will be vent tube to the fueling valve.



*When the stopper assembly is installed in the tank, the top of the vent tube should rest just below the top surface of the tank. It should not touch the top of the tank.*

4. Test fit the stopper assembly into the tank. It may be necessary to remove some of the flashing around the tank opening using a modeling knife. If flashing is present, make sure none of it falls into the tank.

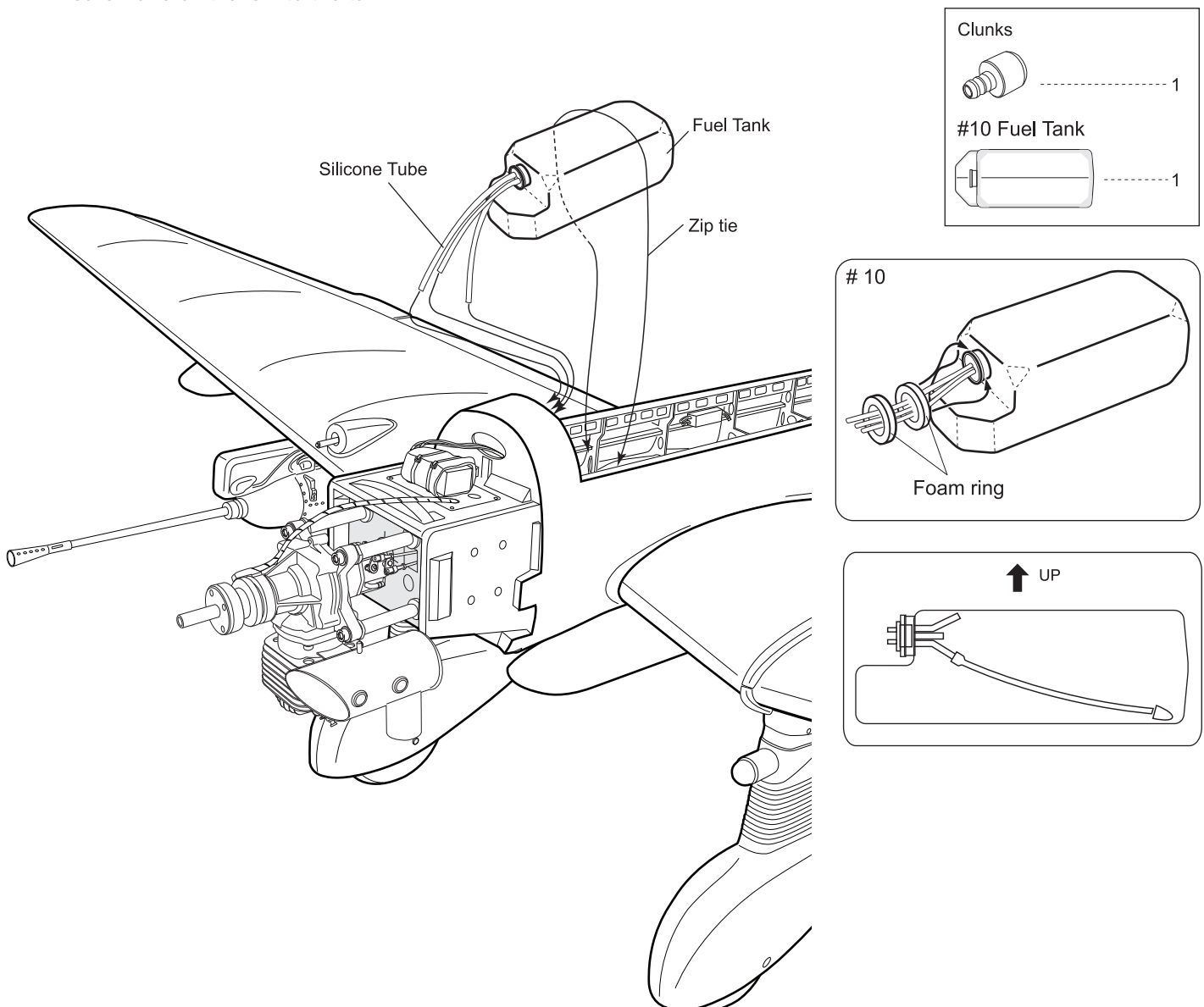
5. When satisfied with the alignment of the stopper assembly tighten the 3mm x 20mm machine screw until the rubber stopper expands and seals the tank opening. Do not over tighten the assembly as this could cause the tank to split.
6. Using a modeling knife, cut 3 lengths of fuel line . Connect 2 lines to the 2 vent tubes and 1 line to the fuel pickup tube in the stopper.
7. Feed three lines through the fuel tank compartment and through the pre-drilled hole in the firewall. Pull the lines out from behind the engine, while guiding the fuel tank into place. Push the fuel tank as far forward as possible, the front of the tank should just about touch the back of the firewall.

Blow through one of the lines to ensure the fuel lines have not become kinked inside the fuel tank compartment. Air should flow through easily.



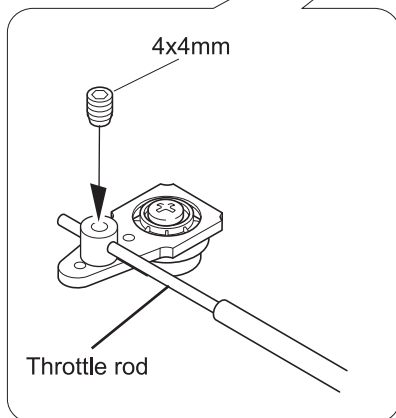
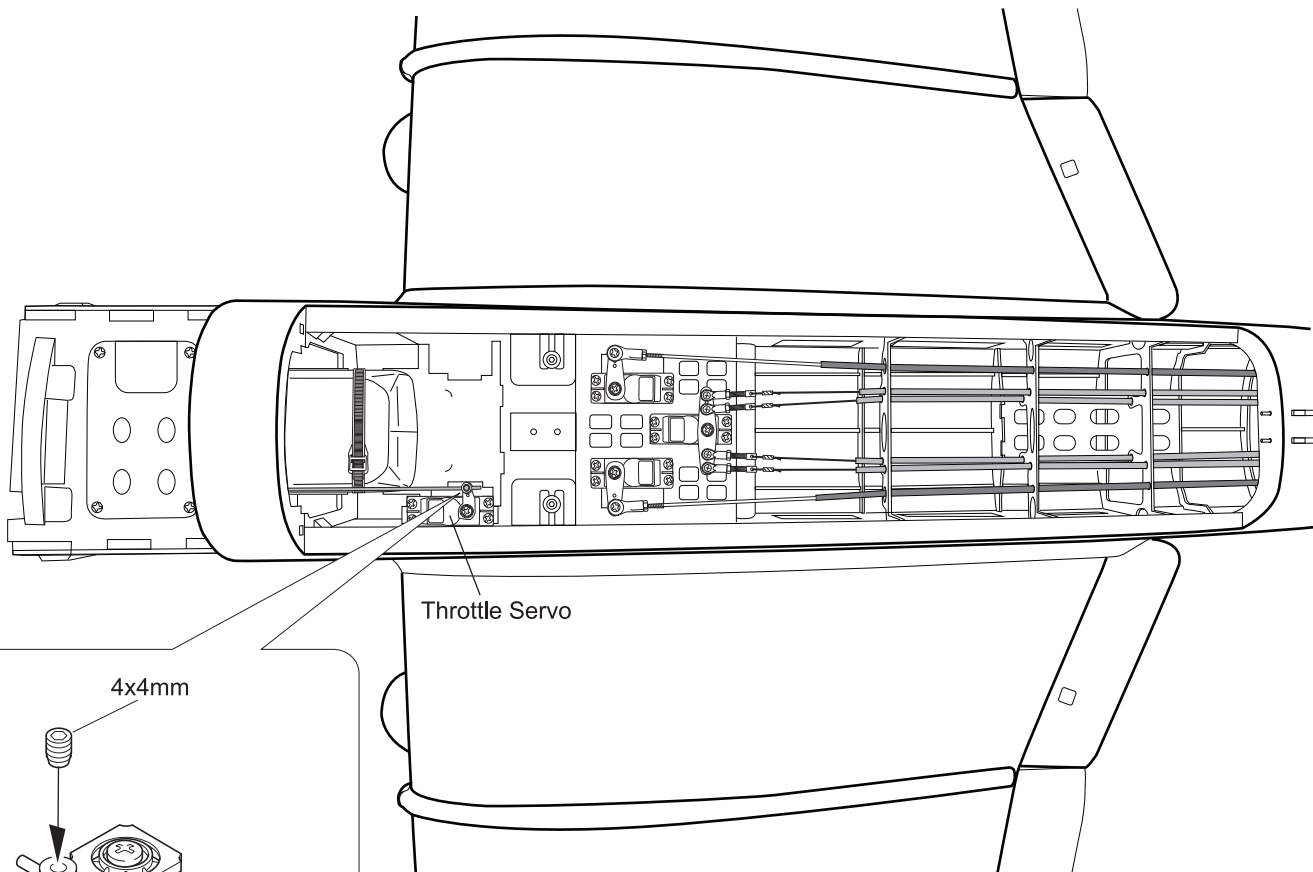
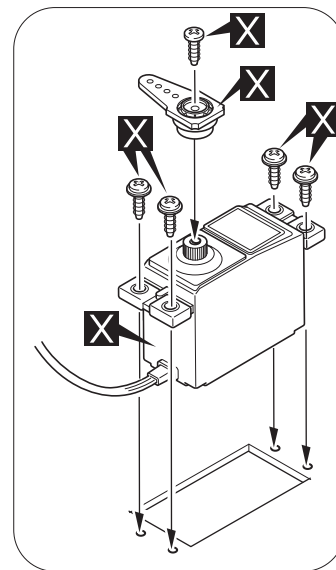
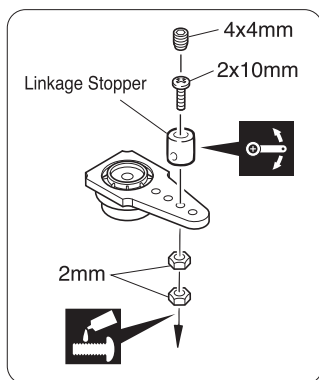
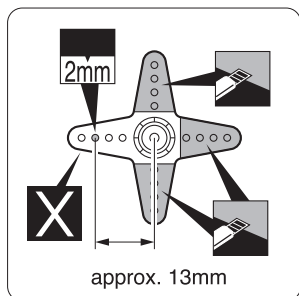
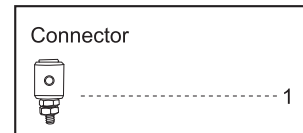
*Do not secure the tank into place permanently until after balancing the airplane. You may need to remove the tank to mount the battery in the fuel tank compartment.*

8. Secure the fuel tank.



### INSTALLING THE THROTTLE

1. Plug the throttle servo into the receiver and turn on the radio system. Check to ensure that the throttle servo output shaft is moving in the correct direction. When the throttle stick is moved forward from idle to full throttle, the throttle barrel should also open and close using this motion. If not, reverse the direction of the servo, using the transmitter.



**A** Adjust the throttle input (transmitter throttle stick), throttle trim movement and the carburettor opening to the suitable position and screw in the 4x4mm set screw.


- Ensure smooth, non-binding movement when assembling
- Apply threadlocker (screw cement).

- Cut off shaded portion
- Must be purchased separately!

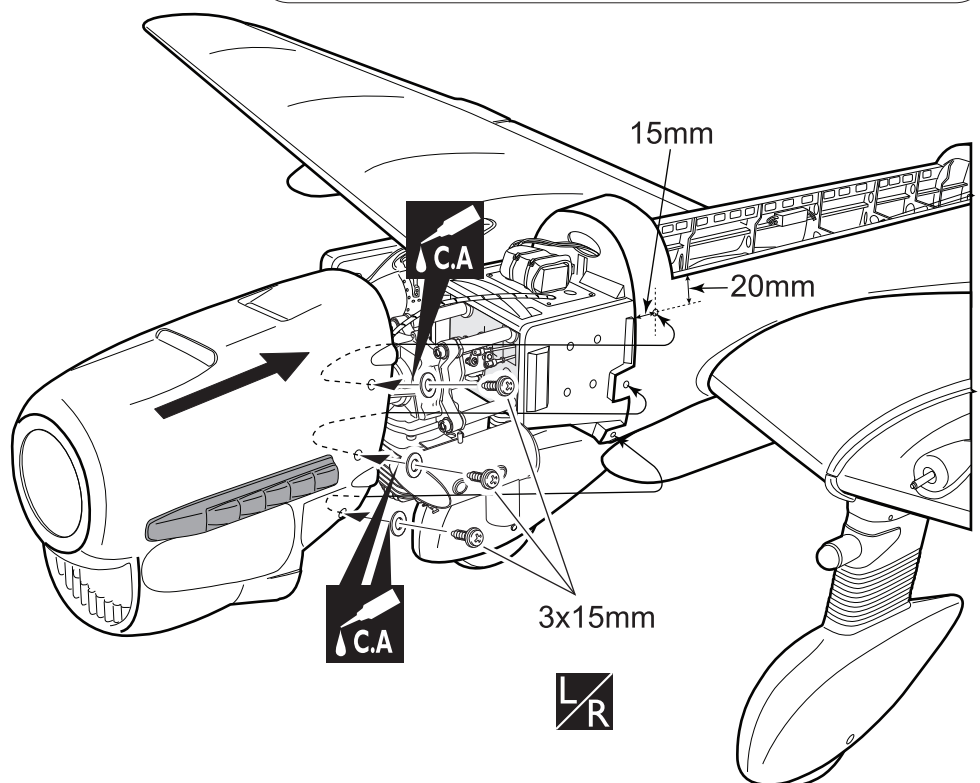
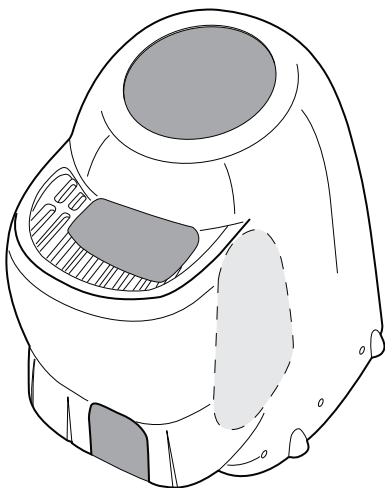
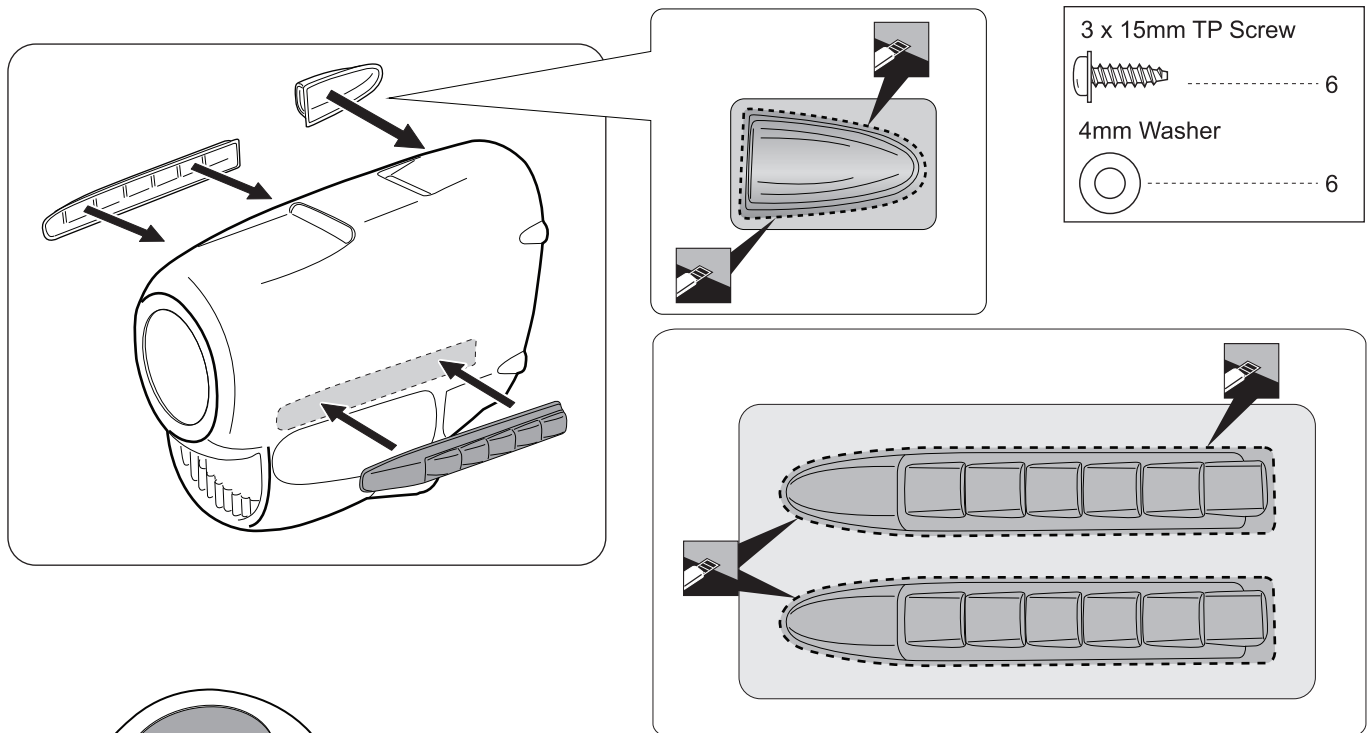
**MOUNTING THE COWL**




1. Remove the muffler and needle valve assembly from the engine. Slide the fiberglass cowl over the engine.
2. Measure and mark the locations to be cut out for engine head clearance, needle valve, muffler. Remove the cowl and make these cutouts using a rotary tool with a cutting disc and a rotary sanding drum attachment.
3. Slide the cowl back into place. Align the front of the cowl with the crankshaft of the engine. The front of the cowl should be positioned so the crankshaft is in the middle of the precut opening. Hold the cowl firmly in place using several pieces of masking tape.

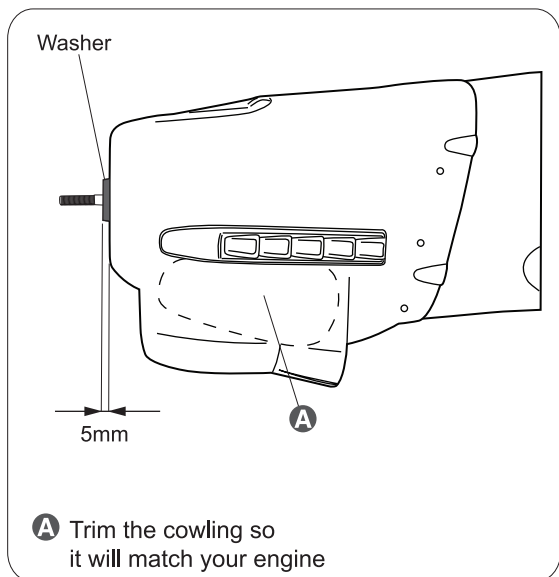
4. While holding the cowl firmly in position, drill four 1,6mm pilot holes through both the cowl and the side edges of the firewall.
5. Using a 3mm drill bit, enlarge the four holes in the cowling.

 *Enlarging the holes through the cowl will prevent the fiberglass from splitting when the mounting screws are installed.*

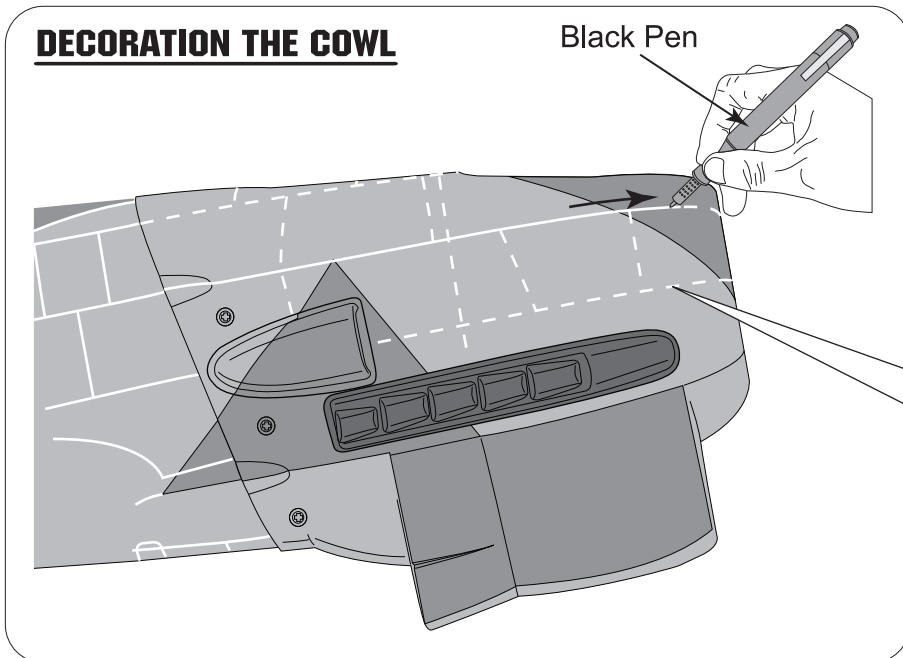
6. Slide the cowl back over the engine and secure it in place using four screws.
7. Install the muffler. Connect the fuel and pressure lines to the carburator, muffler and fuel filler valve. Tighten the screws completely.



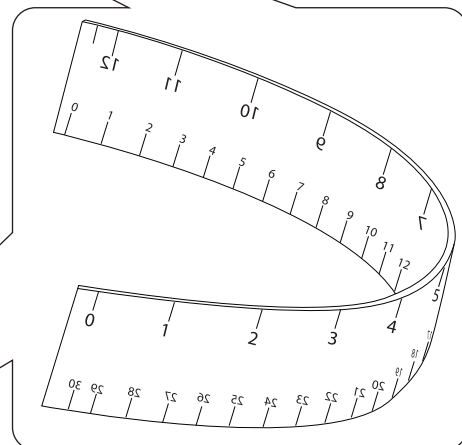
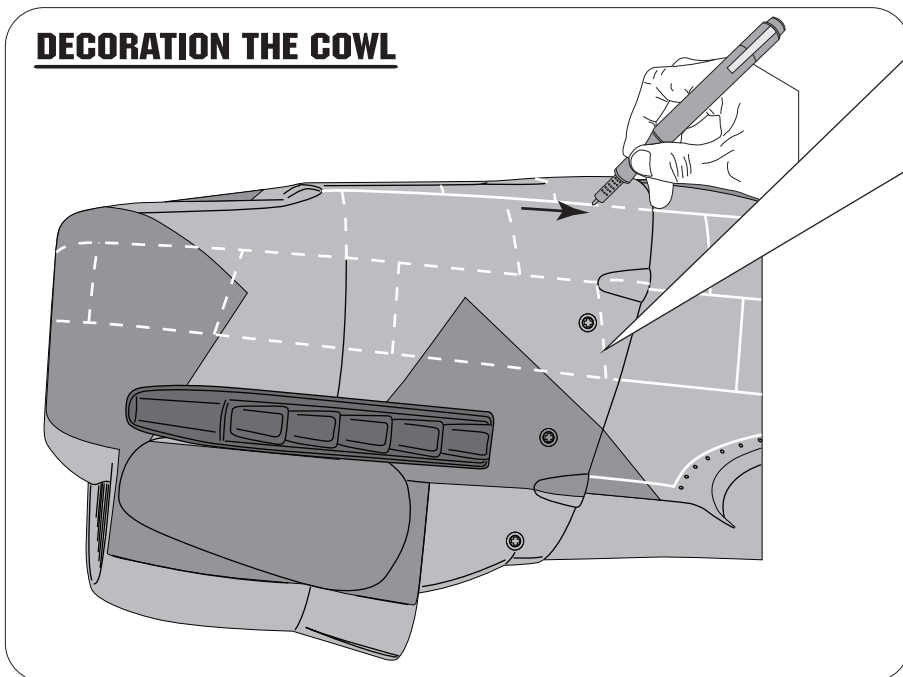
-  Cut off shaded portion
-  Apply instant glue (CA glue, super glue).
-  Assemble left and right sides the same way.



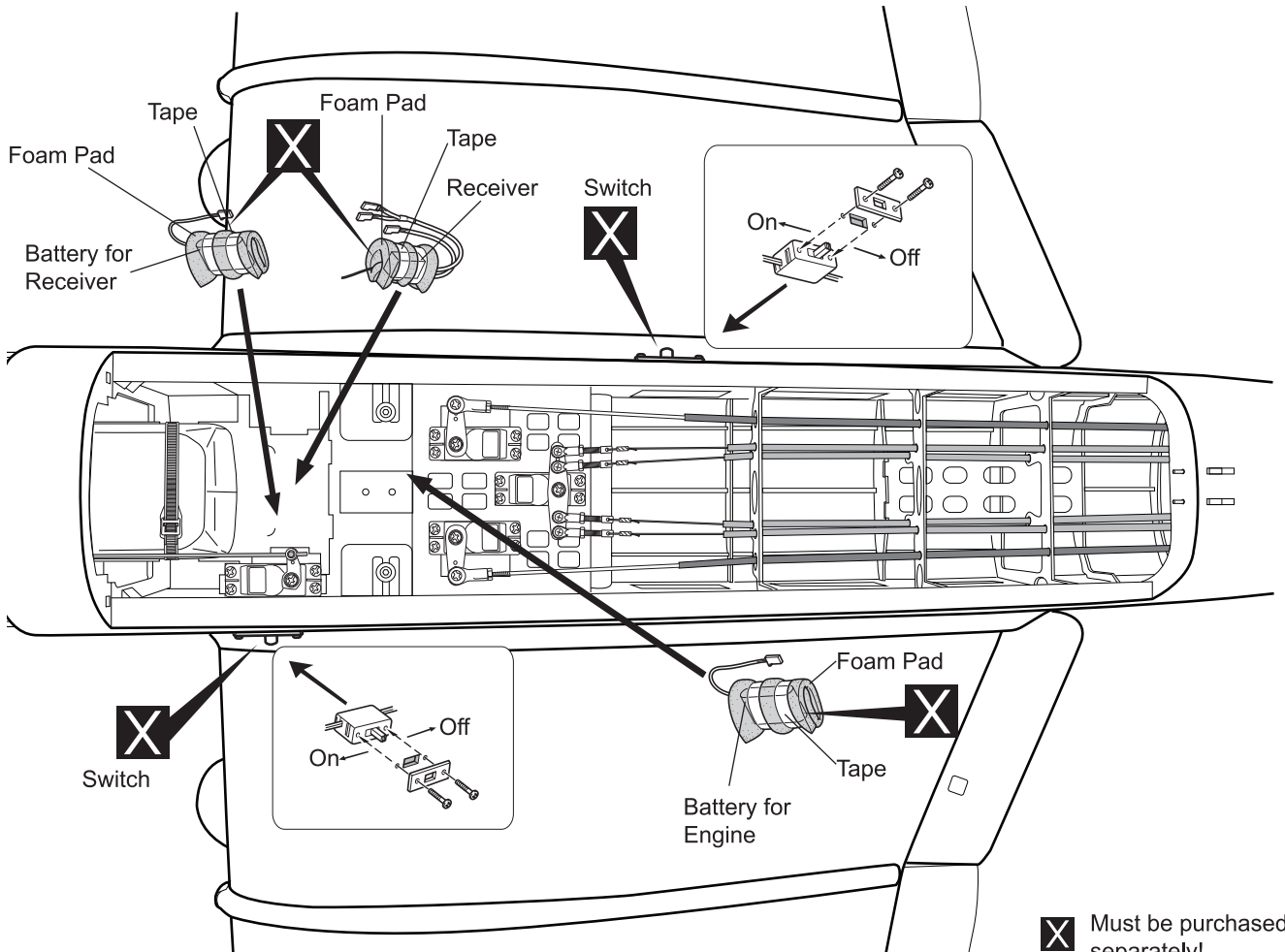
**DECORATION THE COWL**



**DECORATION THE COWL**



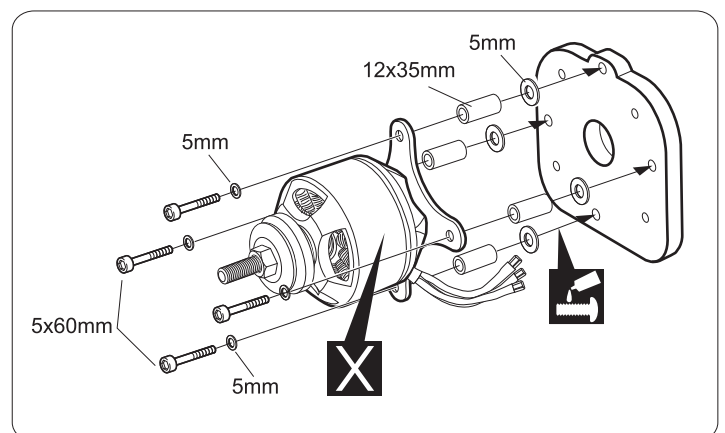
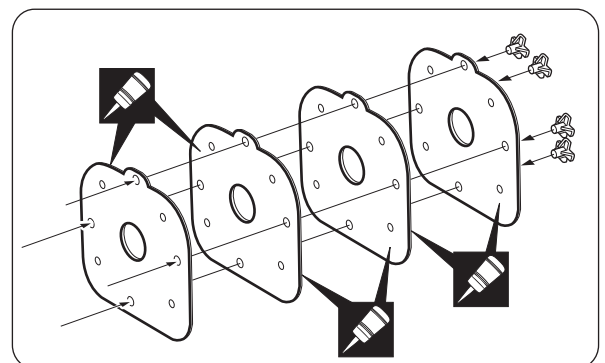




**X** Must be purchased separately!

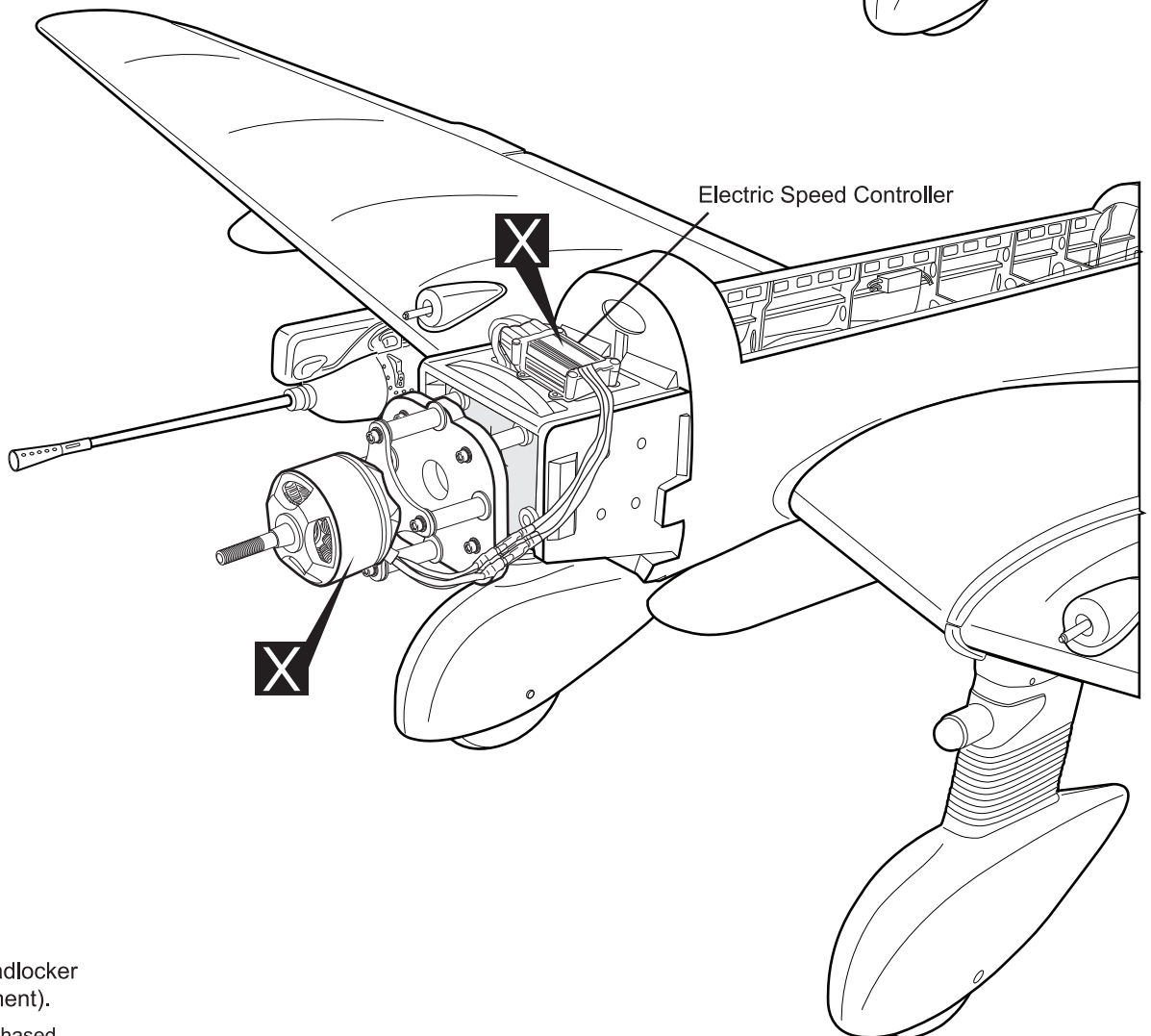
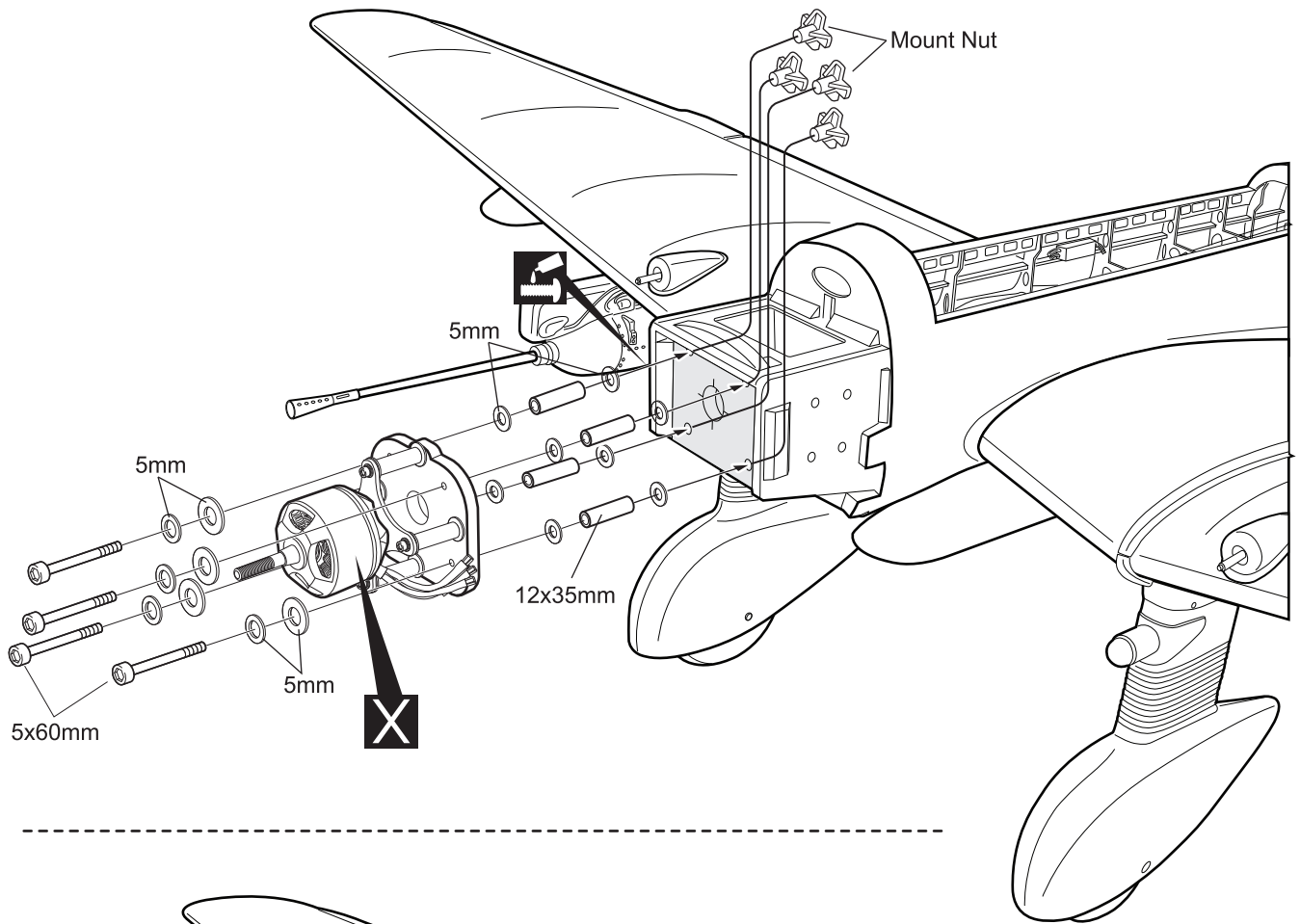
**INSTALLING THE ELECTRIC MOTOR ( EP VERSION )**


- 5 x 60mm Cap Screw ..... 8
- 5mm Spring Washer
- 5mm Washer ..... 8
- 5mm Washer ..... 4
- 12 x 35mm Aluminum ..... 8
- 5mm Washer ..... 12
- 5mm Mount Nut ..... 8




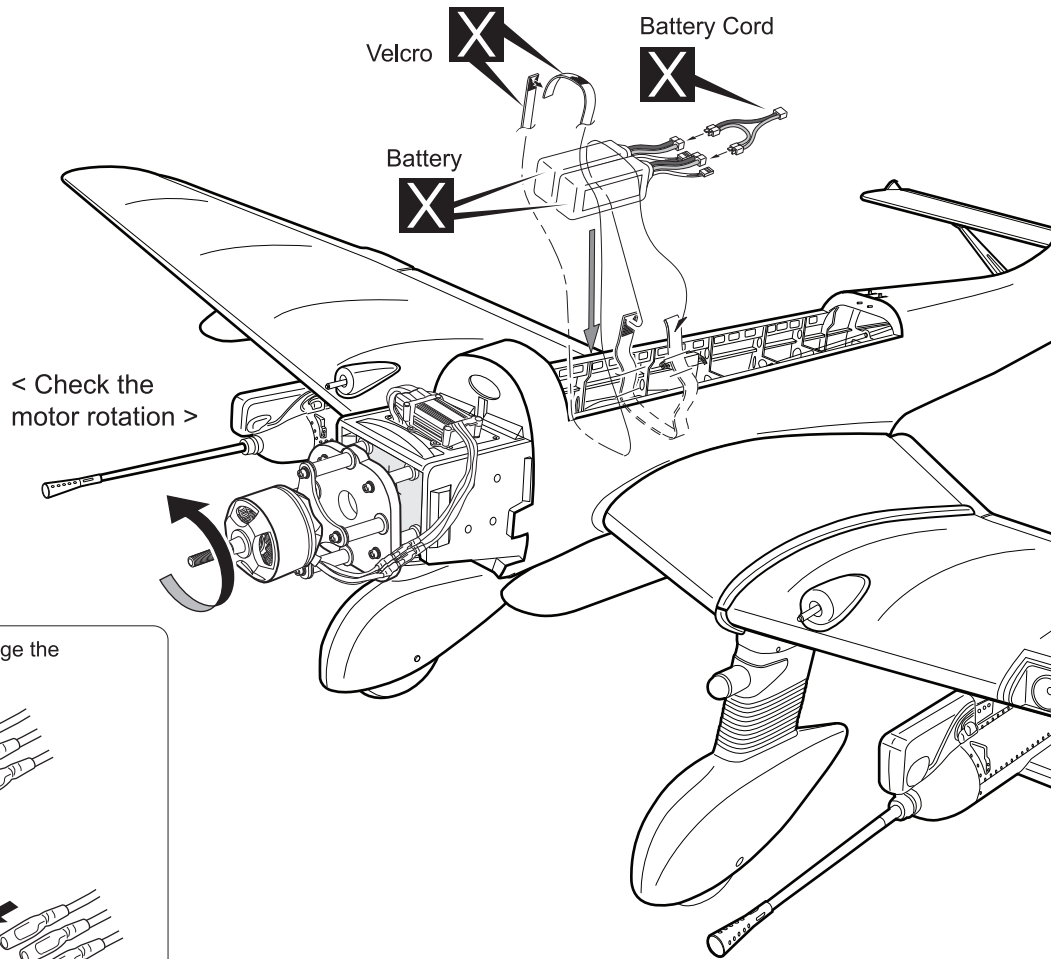
- White glue
- Apply threadlocker (screw cement).
- X** Must be purchased separately!



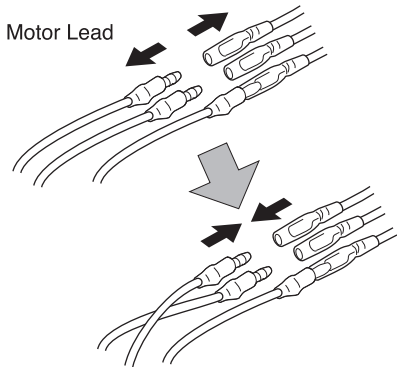


 Apply threadlocker (screw cement).

 Must be purchased separately!

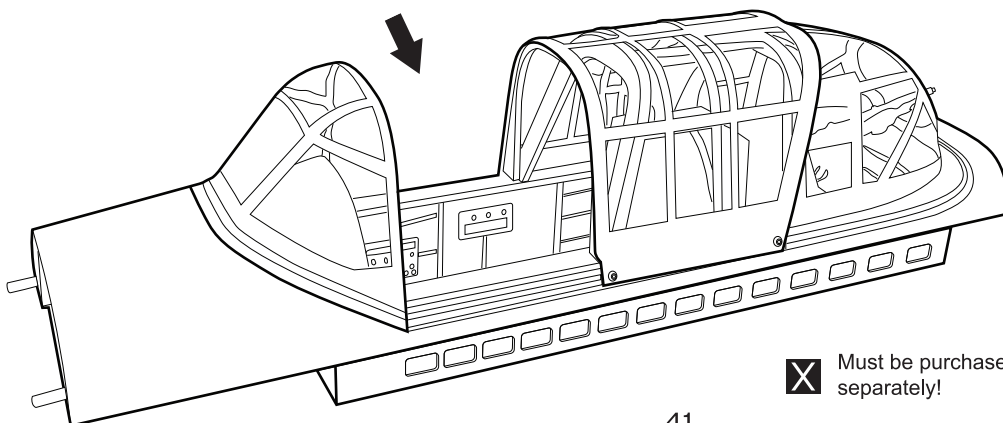
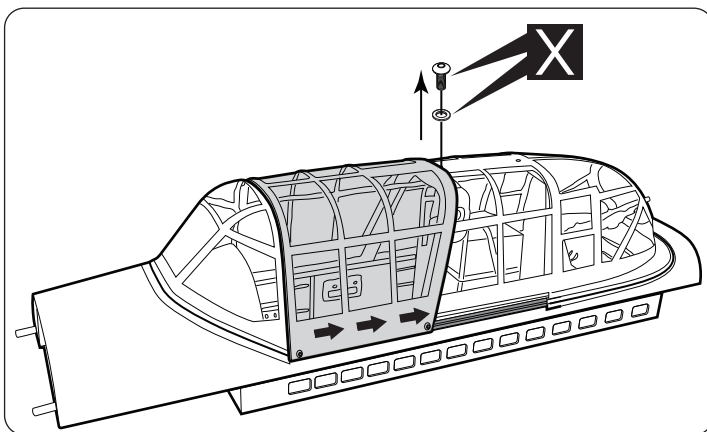


When rotating clock wise, change the connection of 2 wires.



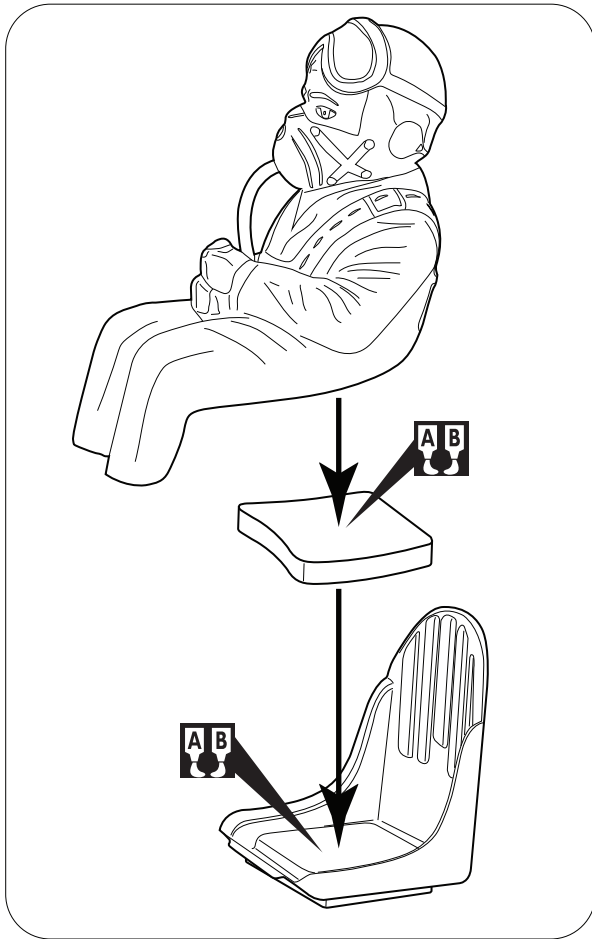
**X** Must be purchased separately!

**SLIDING THE CANOPY**

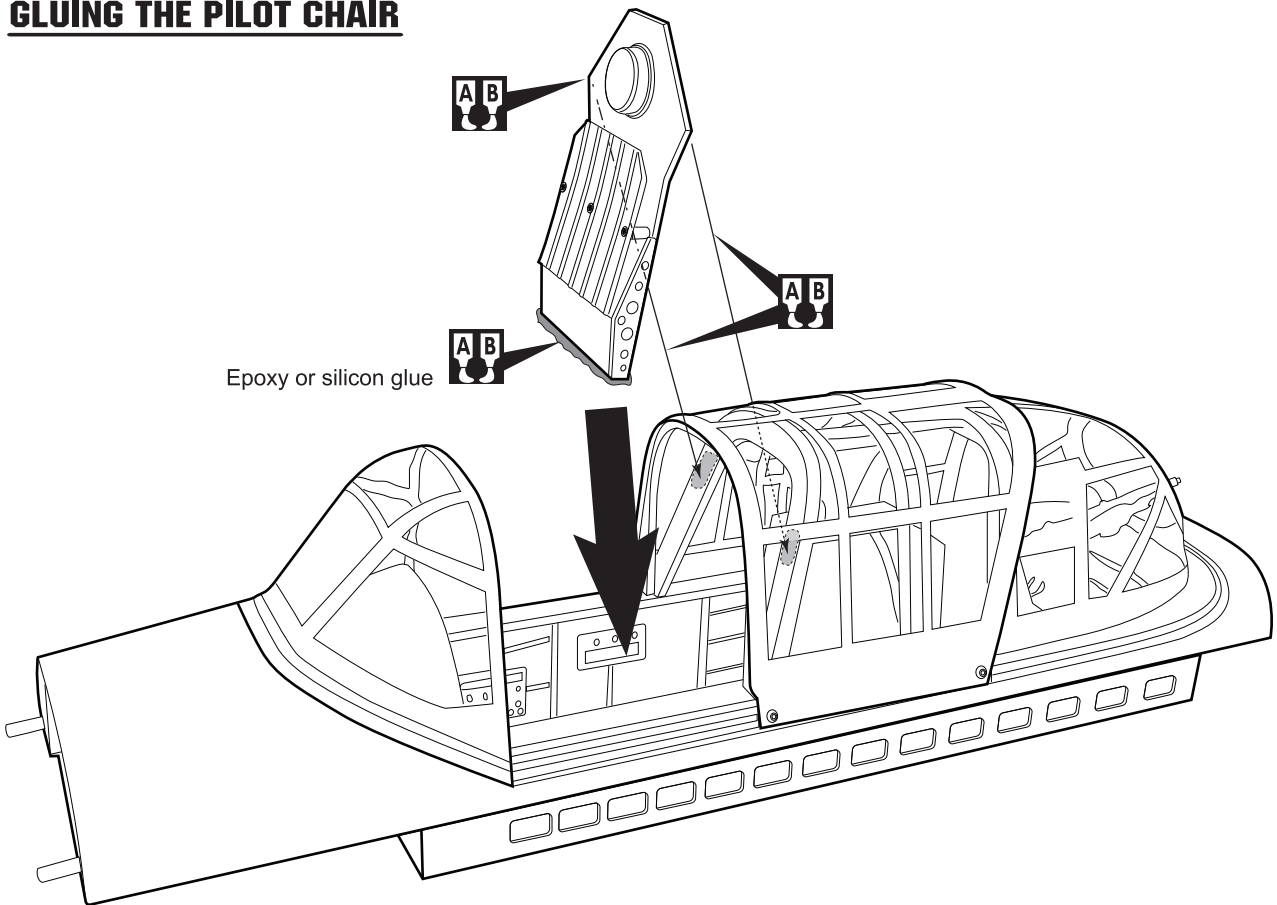


**X** Must be purchased separately!

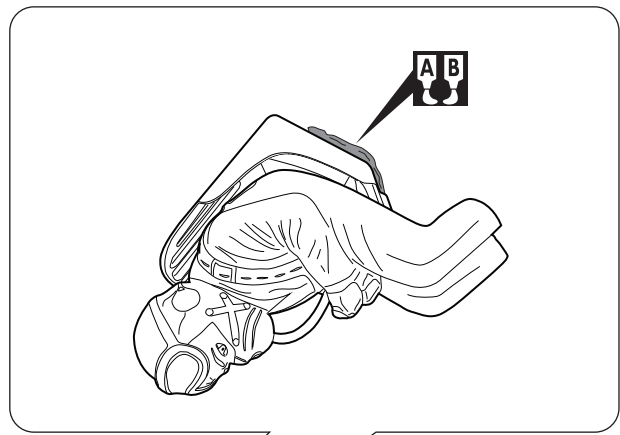
# 21 Pilot	
	1
	1
	1
	1
	1
	1



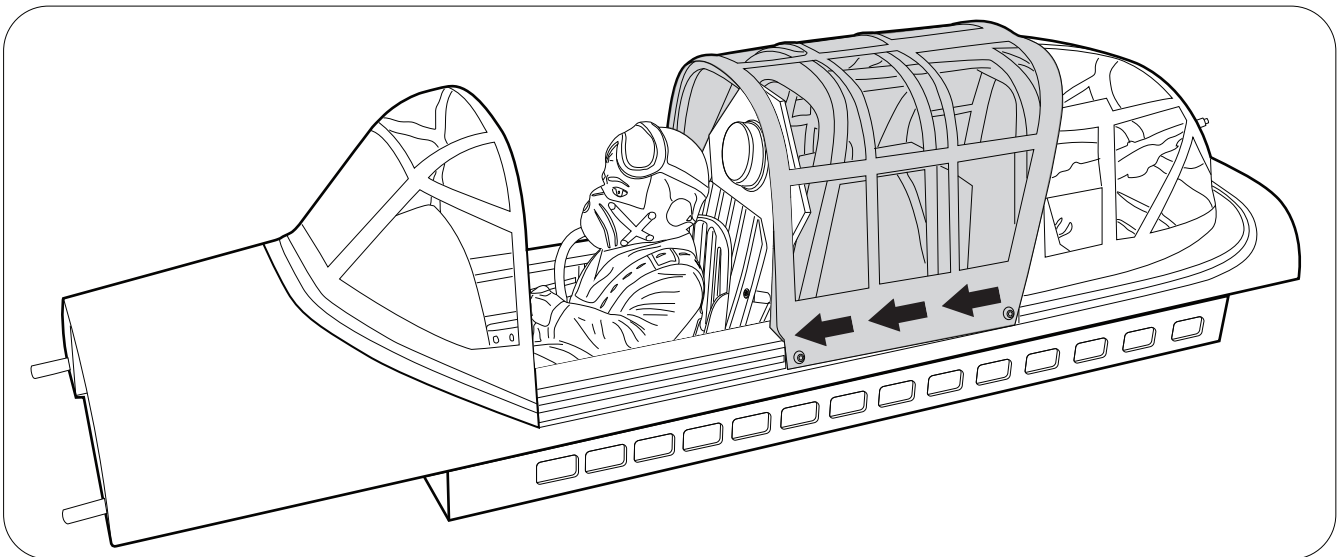
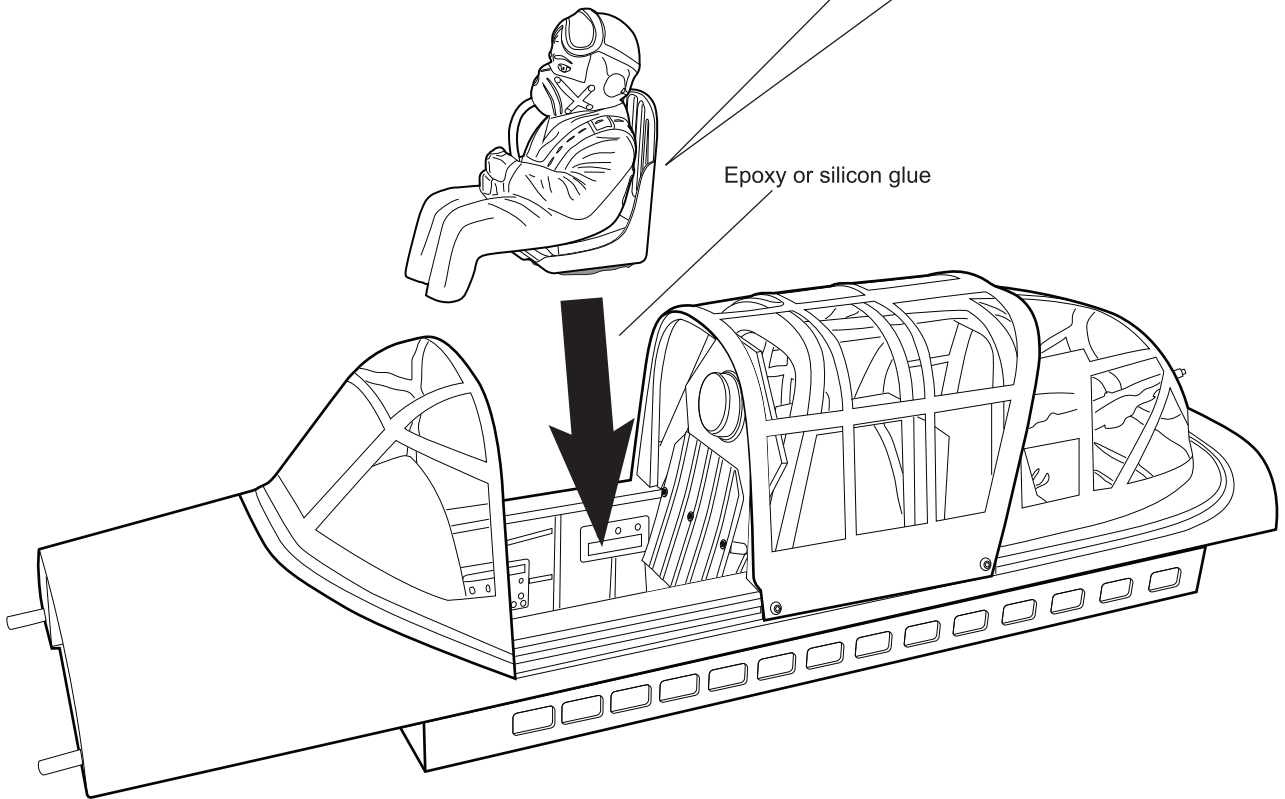
**GLUING THE PILOT CHAIR**



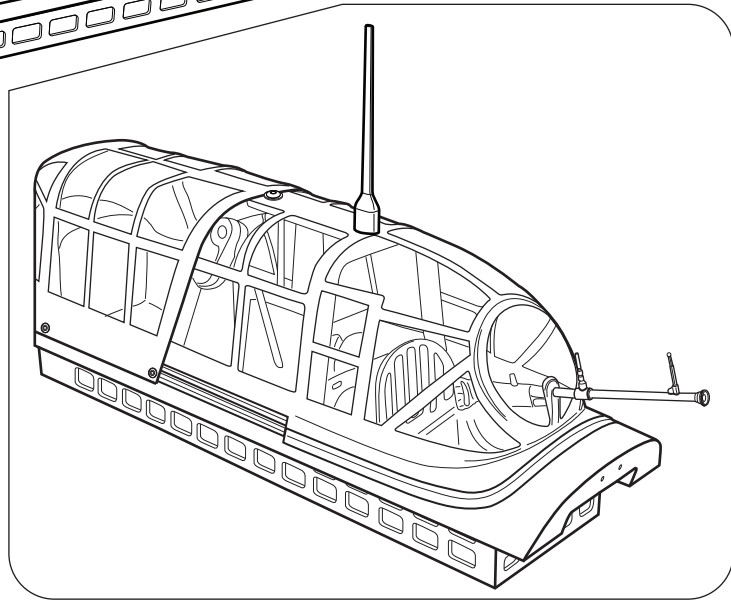
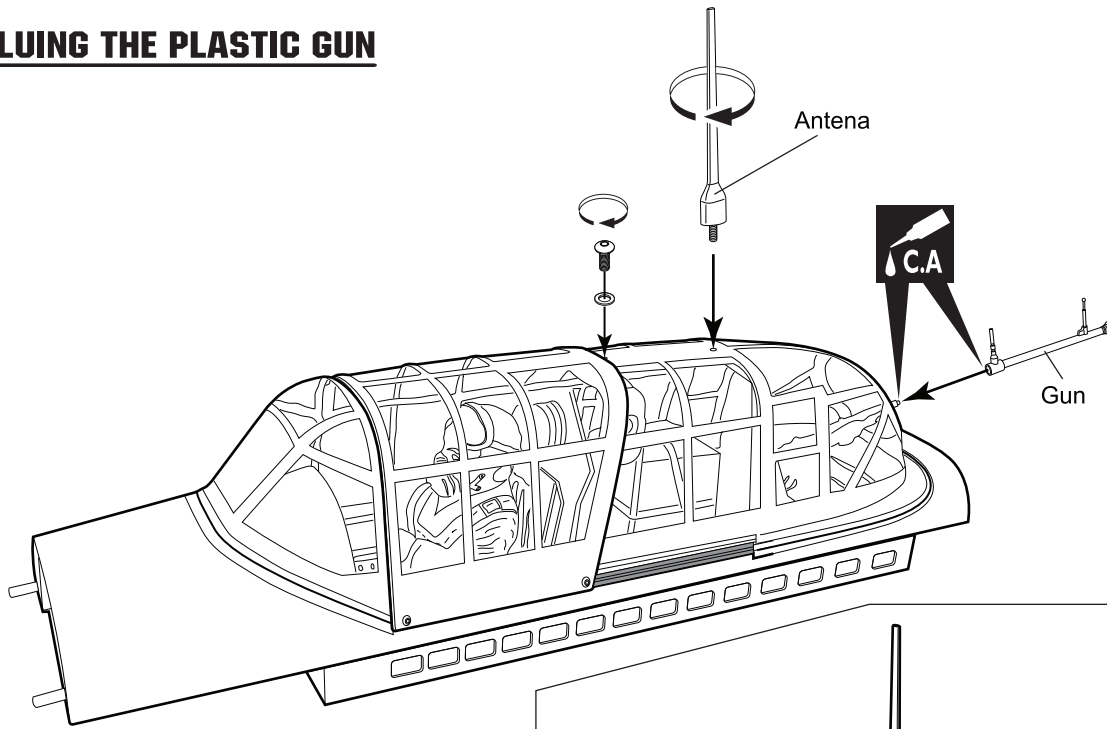
Epoxy or silicon glue




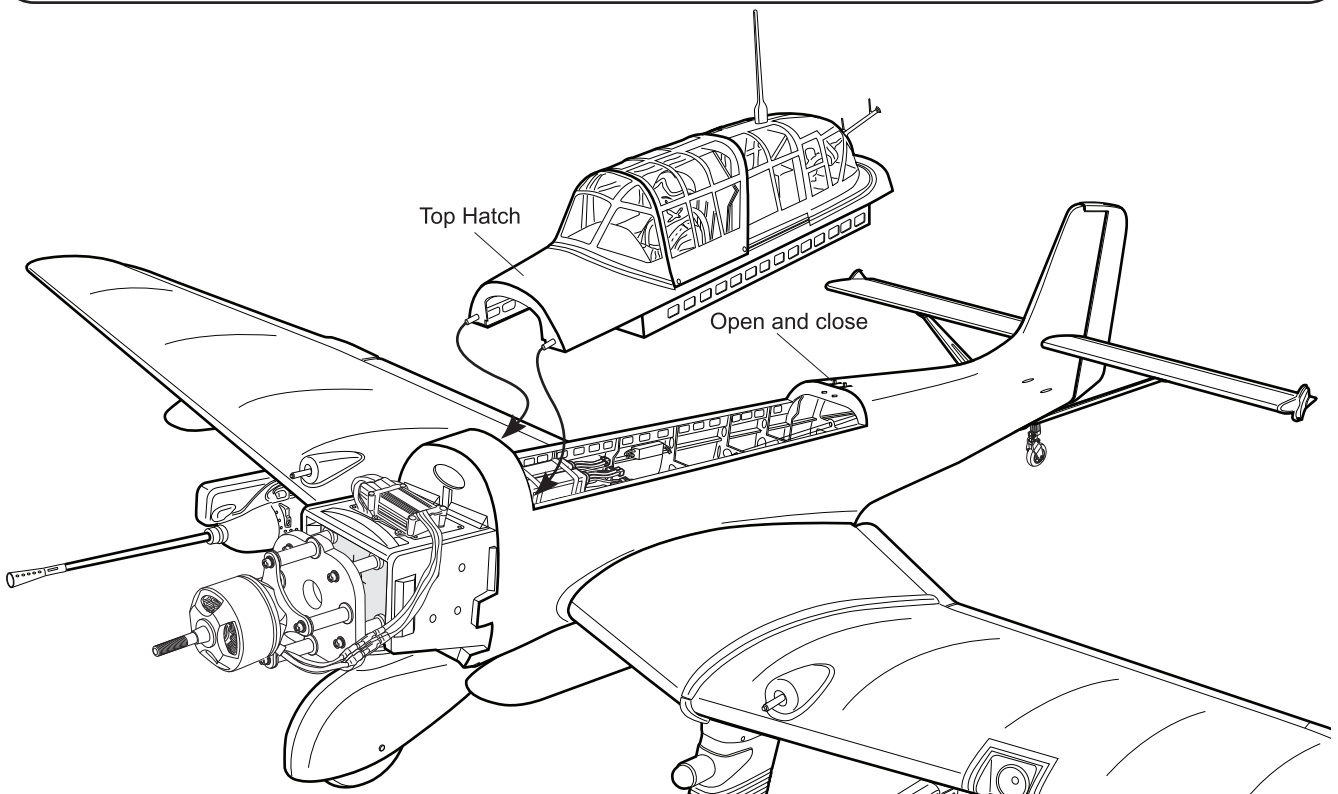
**GLUING THE PILOT**



**GLUING THE PLASTIC GUN**



 Apply instant glue  
(CA glue, super glue).

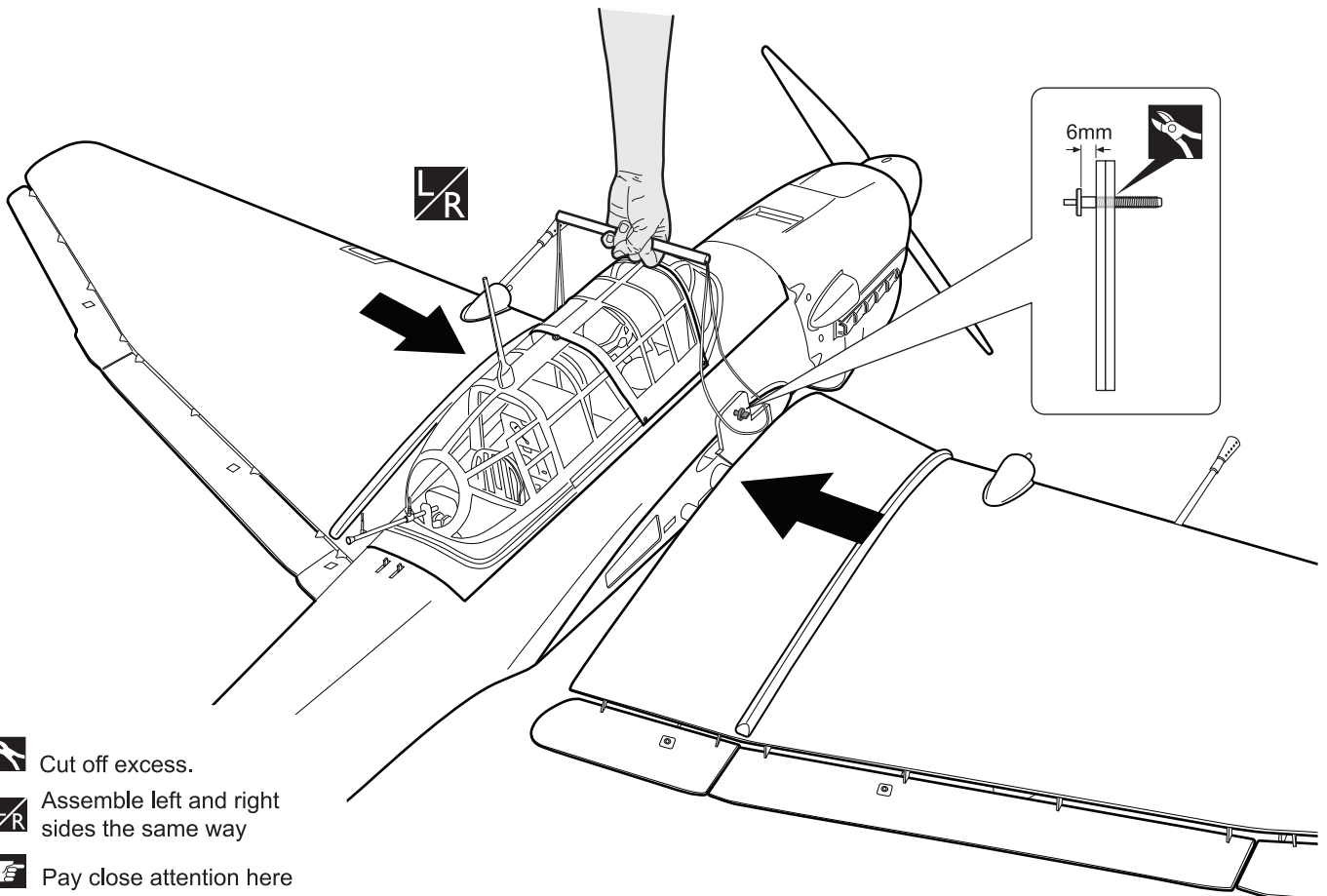
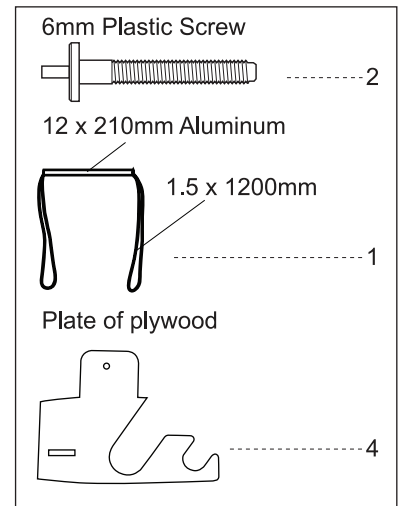
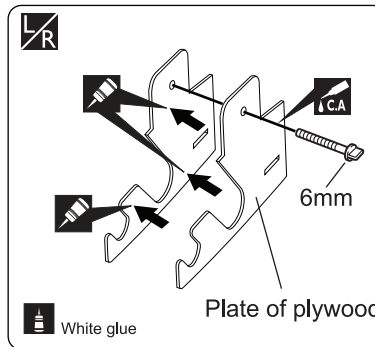
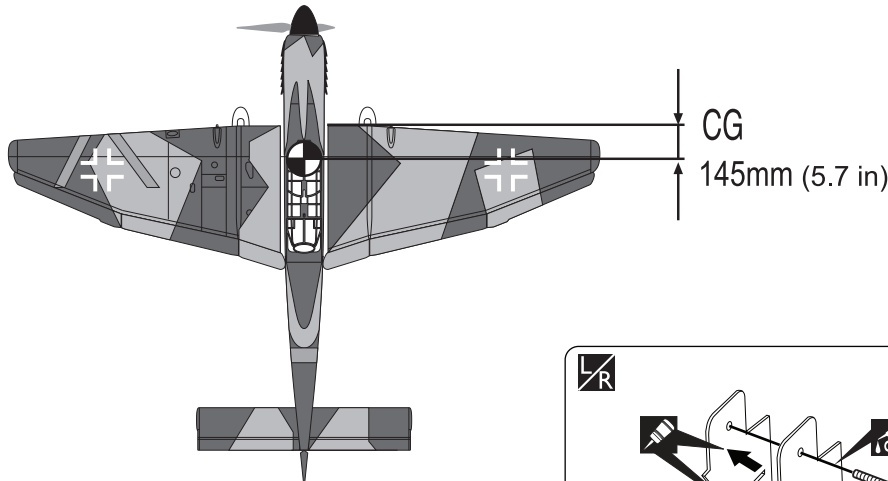


**BALANCING**

1. It is critical that your airplane be balanced correctly. Improper balance will cause your plane to lose control and crash.

THE CENTER OF GRAVITY IS LOCATED 145mm (5.7 in) BACK FROM THE LEADING EDGE OF THE WING, AT THE FUSELAGE. BALANCE A PLANE UPSIDE DOWN WITH THE FUEL TANK EMPTY.

2. If the nose of the plane falls, the plane is nose heavy. To correct this first move the battery pack further back in the fuselage. If this is not possible or does not correct it, stick small amounts of lead weight on the fuselage under the horizontal stabilizer. If the tail of the plane falls, the plane is tail heavy. To correct this, move the battery and receiver forward or if this is not possible, stick weight into the firewall. When balanced correctly, the airplane should sit level or slightly nose down when you lift it up with your fingers.

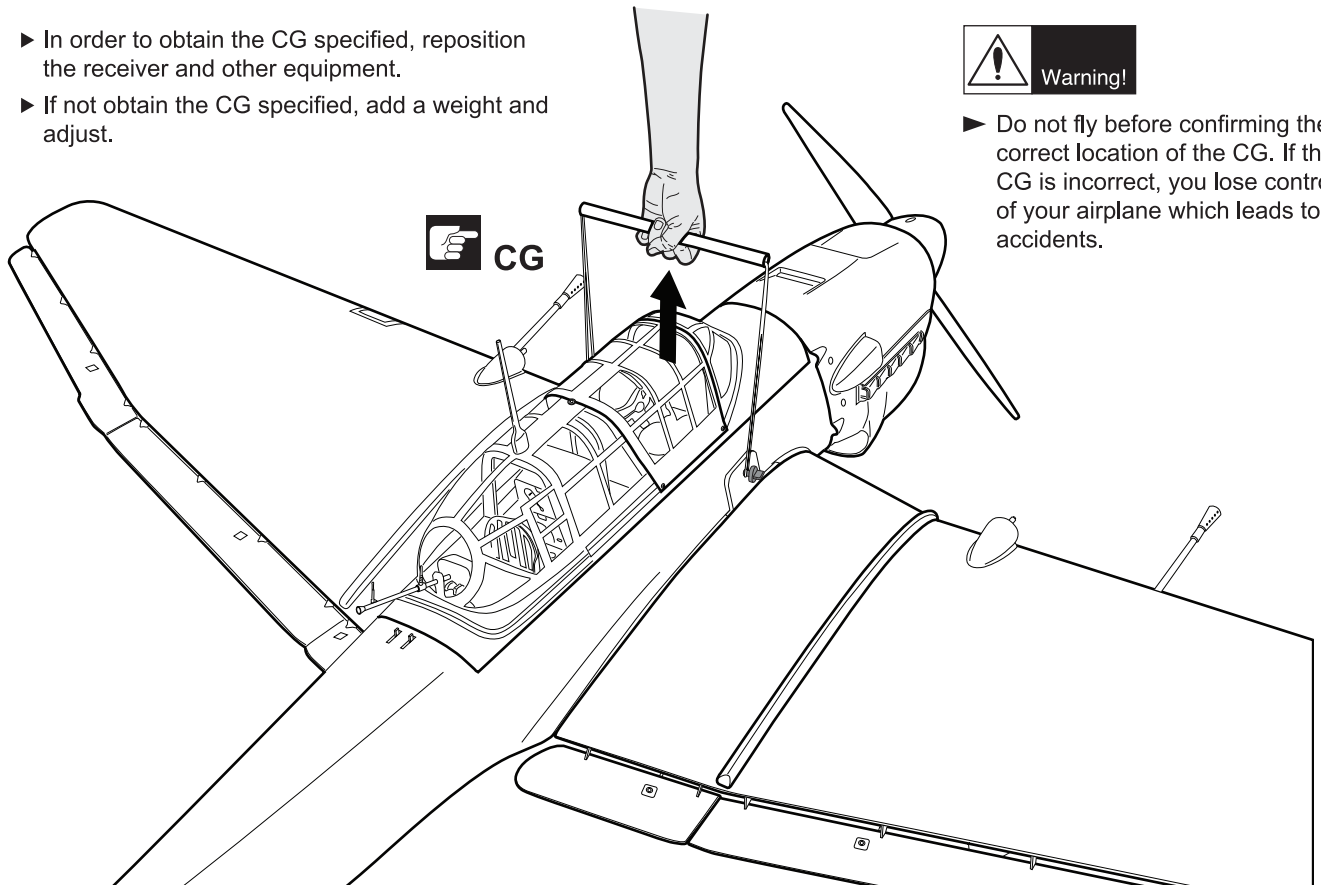


- Cut off excess.
- Assemble left and right sides the same way
- Pay close attention here
- Apply instant glue (CA glue, super glue).

- ▶ In order to obtain the CG specified, reposition the receiver and other equipment.
- ▶ If not obtain the CG specified, add a weight and adjust.



- ▶ Do not fly before confirming the correct location of the CG. If the CG is incorrect, you lose control of your airplane which leads to accidents.



**LATERAL BALANCE**

**!** After you have balanced a plane on the C.G. You should laterally balance it. Doing this will help the airplane track straighter.

1. Turn the airplane upside down. Attach one loop of heavy string to the engine crankshaft and one to the tail wheel wire. With the wings level, carefully lift the airplane by the string. This may require two people to make it easier.
2. If one side of the wing fall, that side is heavier than the opposite. Add small amounts of lead weight to the bottom side of the lighter wing half's wing tip. Follow this procedure until the wing stays level when you lift the airplane.

**CONTROL THROWS**

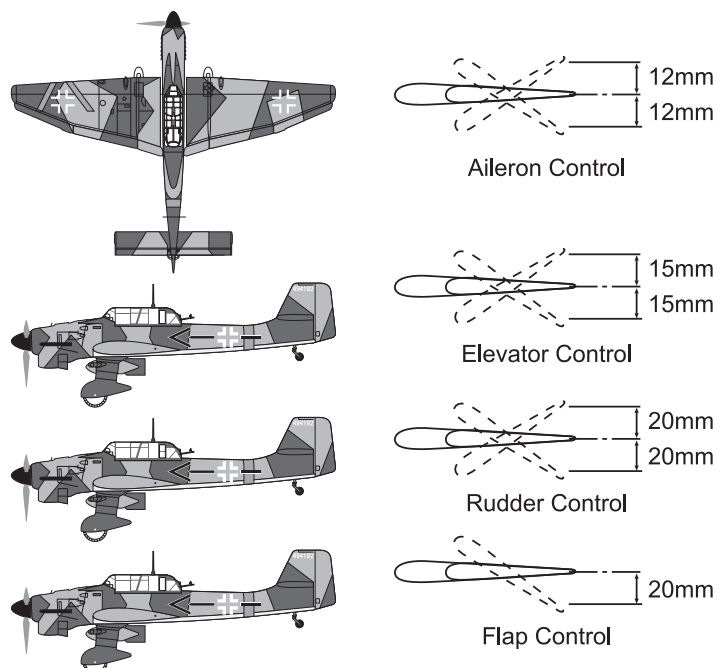
1. We highly recommend setting up a plane using the control throws listed.
2. The control throws should be measured at the widest point of each control surface.
3. Check to be sure the control surfaces move in the correct directions.

● **LOW RATE**

Ailerons : 12 mm up	12 mm down
Elevator : 15mm up	15 mm down
Rudder : 20 mm right	20 mm left
Flap : 20 mm down	

● **HIGH RATE**

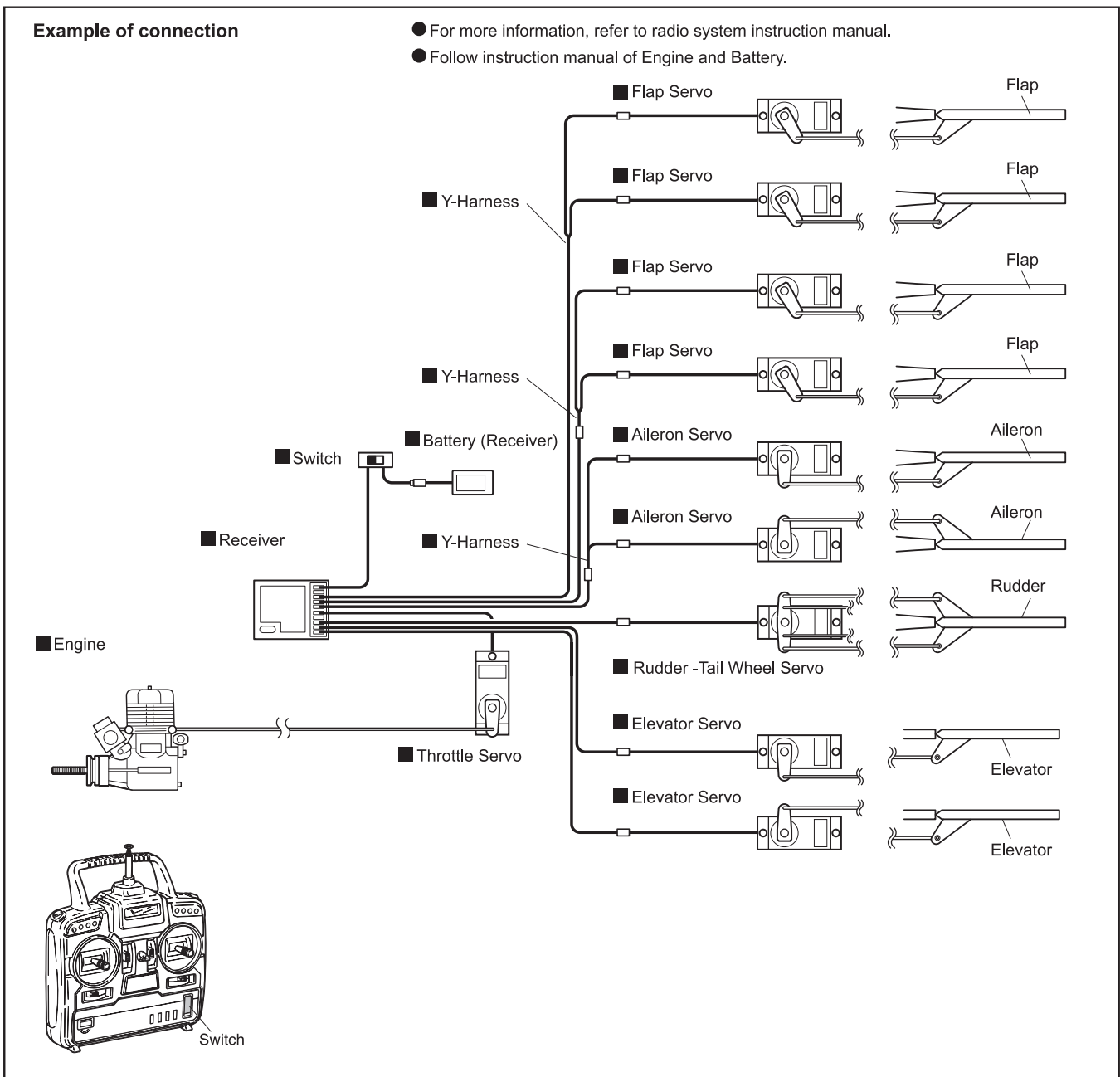
Ailerons : 15 mm up	15 mm down
Elevator : 20 mm up	20 mm down
Rudder : 30 mm right	30 mm left
Flap : 25 mm down	



**FLIGHT PREPARATION PRE FLIGHT CHECK**

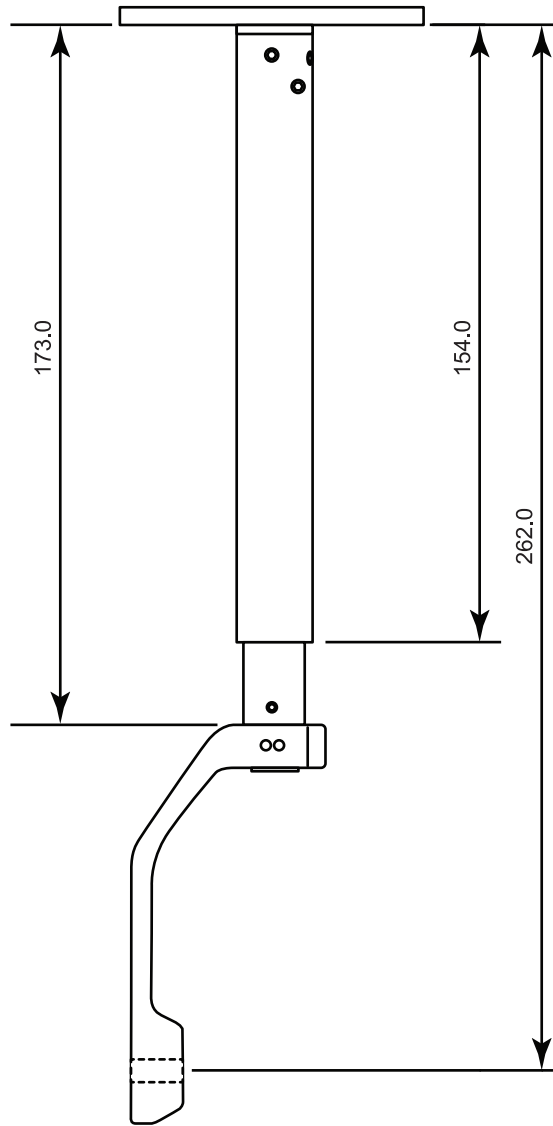
1. Completely charge your transmitter and receiver batteries before your first day of flying.
2. Check every bolt and every glue joint in your plane to ensure that everything is tight and well bonded.
3. Double check the balance of the airplane
4. Check the control surface
5. Check the receiver antenna . It should be fully extended and not coiled up inside the fuselage.
6. Properly balance the propeller.

**FOR YOUR RADIO INSTALLATION  
BASIC CONNECTION FOR AIRPLANE AND ADJUSTMENT OF SERVOS**

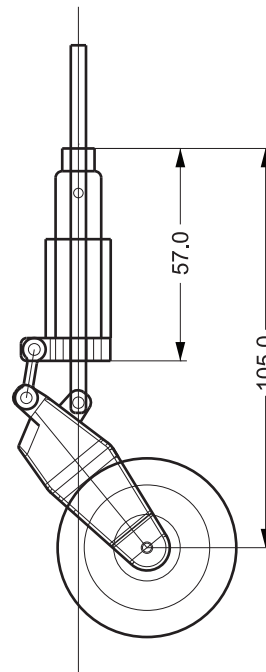




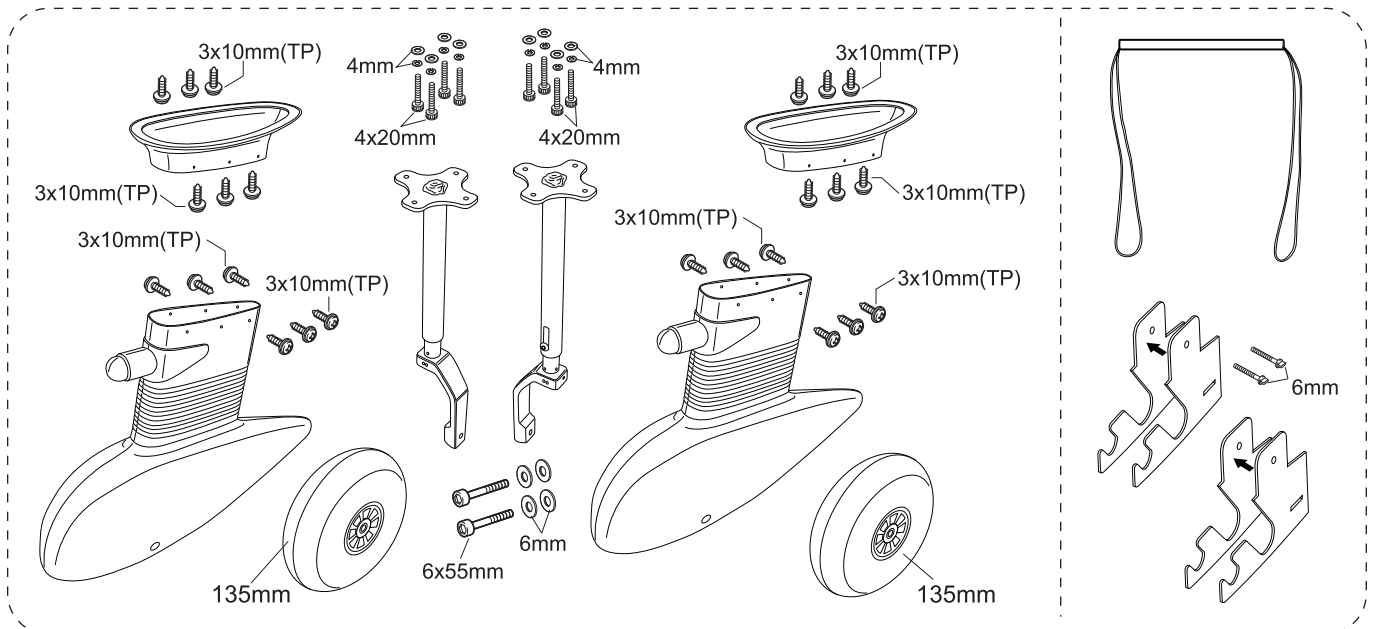
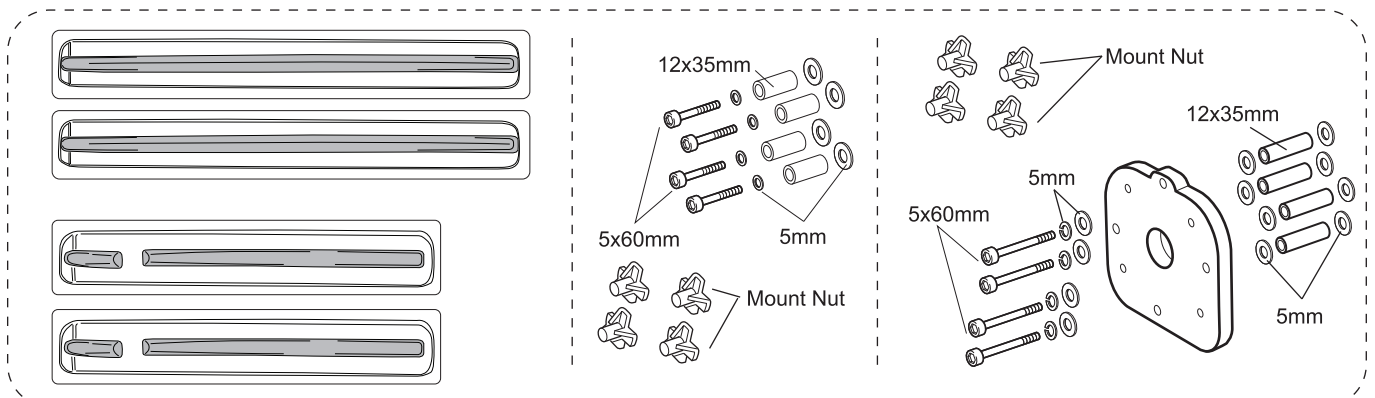
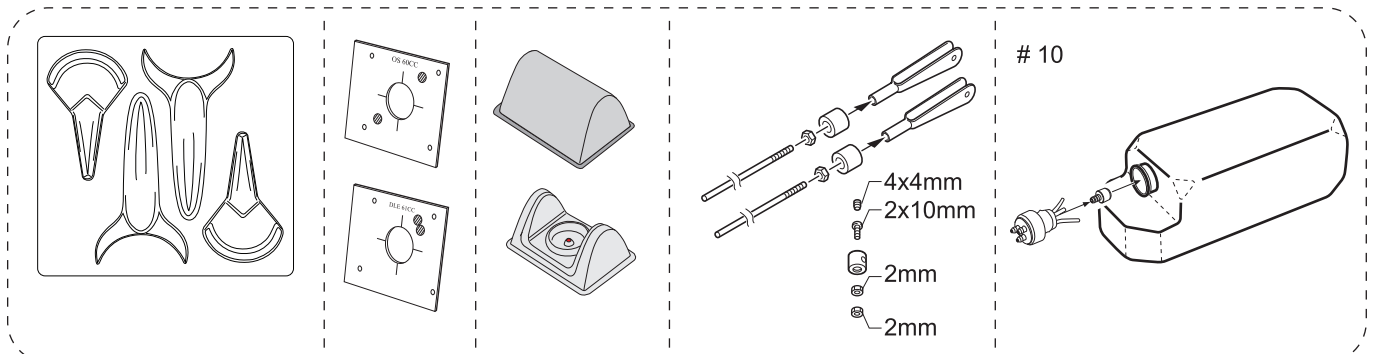
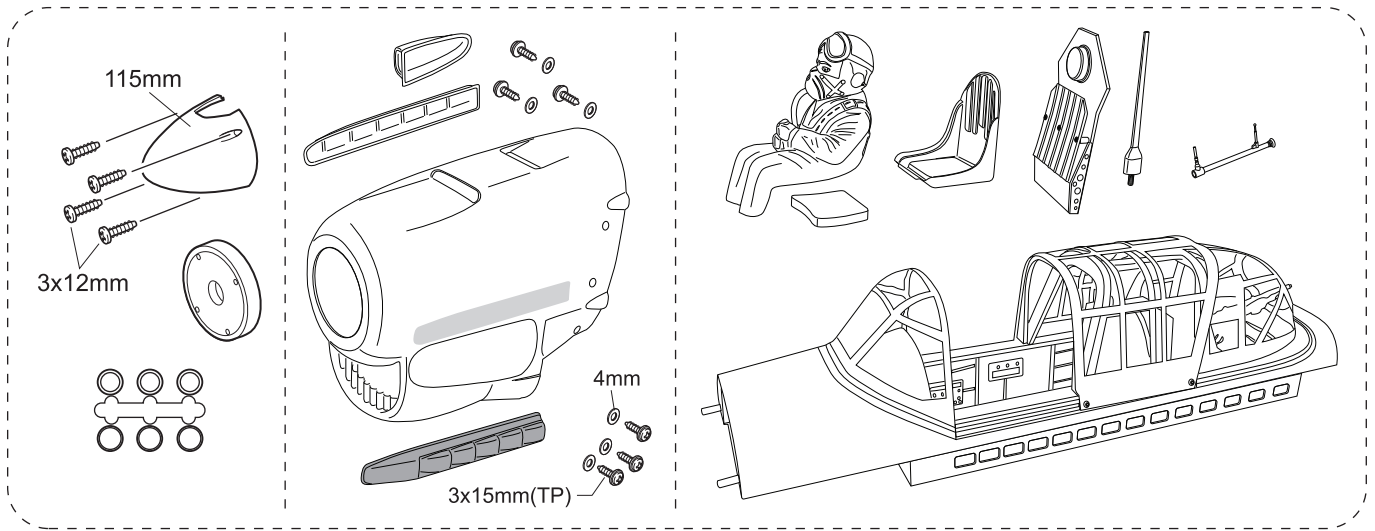
Main Gear Dimensional Detail



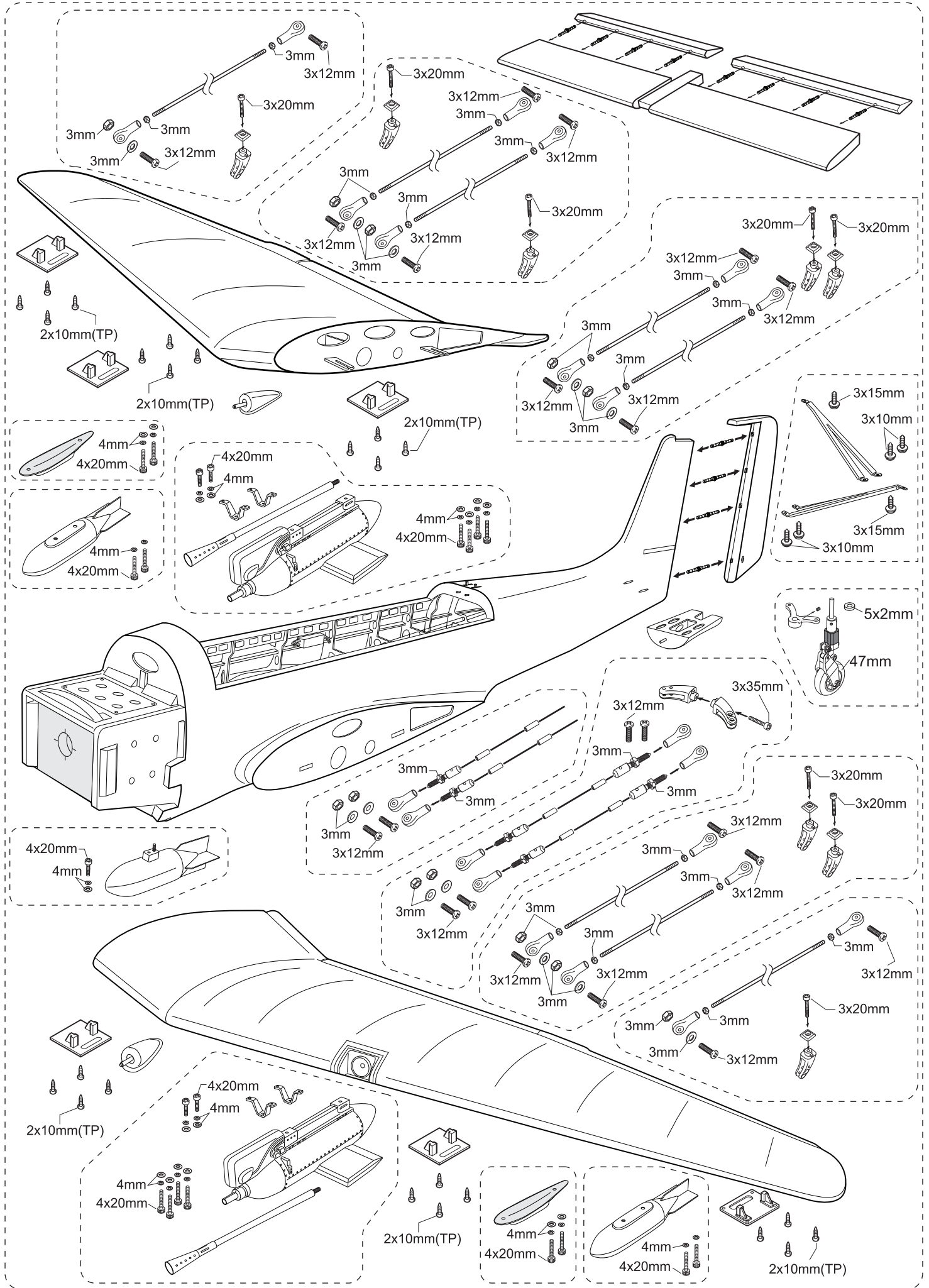
Tail Gear Dimensional Detail



# EXPLODED VIEW



# EXPLODED VIEW



# I/C FLIGHT GUIDELINES

